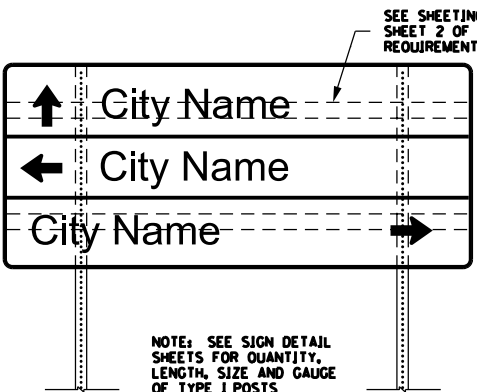


COUNTY OF	ITEM NO.	SHEET NO.



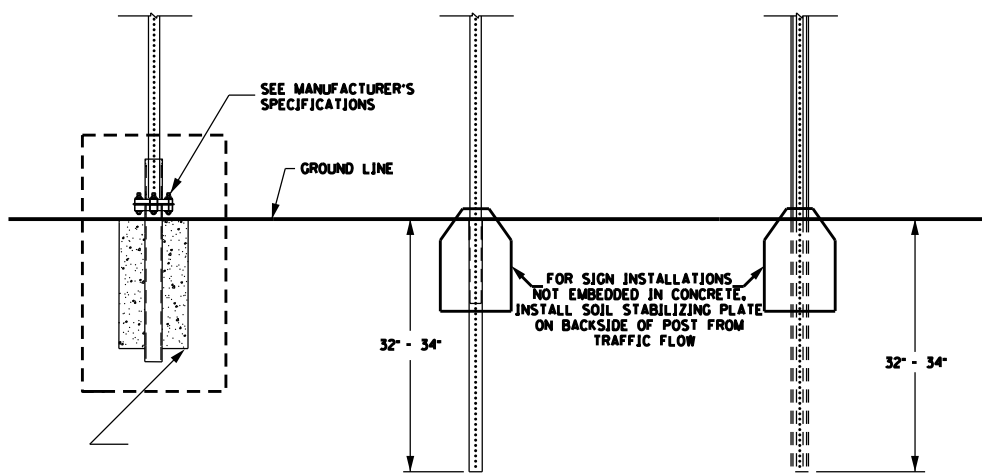
NOTE: SEE SIGN DETAIL SHEETS FOR QUANTITY, LENGTH, SIZE AND GAUGE OF TYPE I POSTS



PLAN VIEW
NOT TO SCALE

PLAN VIEW
NOT TO SCALE

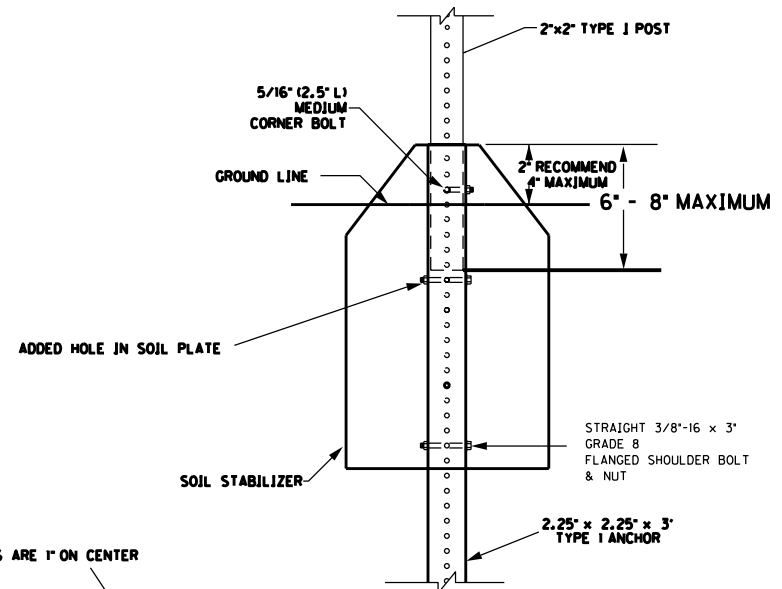
PLAN VIEW
NOT TO SCALE



TYPE I
SQUARE TUBING POST
WITH TYPE D SUPPORT

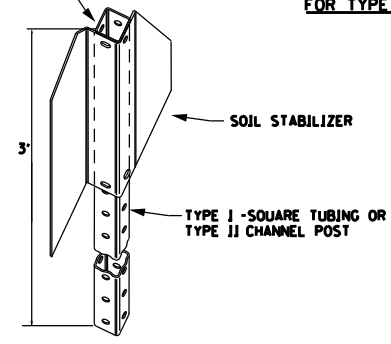
TYPE I
SQUARE TUBING POST
WITH SOIL STABILIZER

TYPE II
CHANNEL POST
WITH SOIL STABILIZER

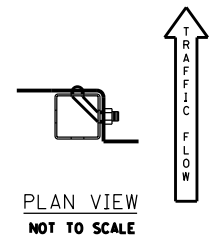


SOIL STABILIZER DETAIL
FOR TYPE I POST

HOLES ARE 1\"/>



SOIL STABILIZER DETAIL



PLAN VIEW
NOT TO SCALE

NOT TO SCALE

FILE NAME: C:\PWORK\VARROD\STANLEY\060995\1005 SHEETING SIGN DETAIL SHEET 1 OF 2.DGN
 USER: JEFFREY W. TORNEY
 DATE PLOTTED: August 10, 2005
 E-SHEET NAME:
 MicroStation v8.11.1.43