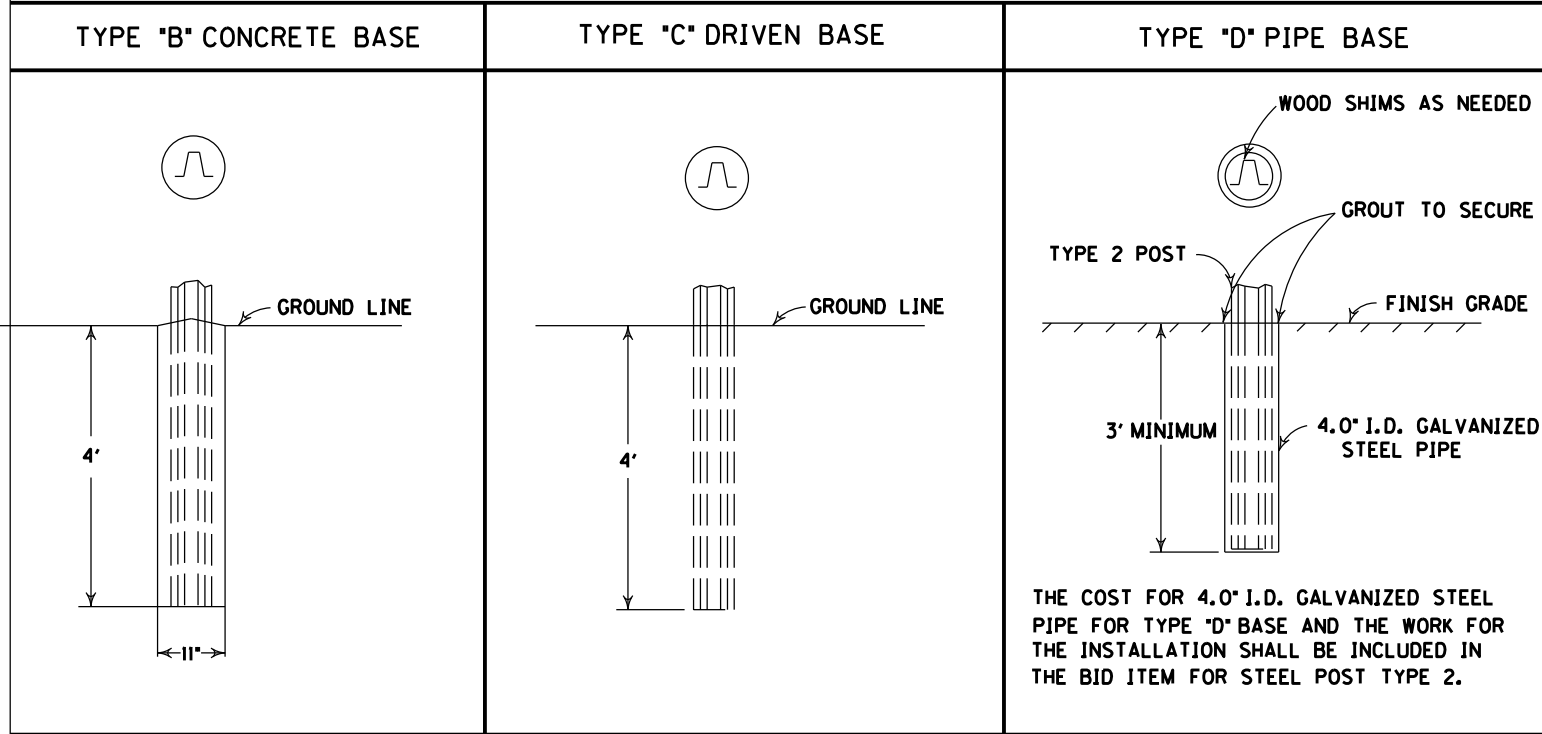
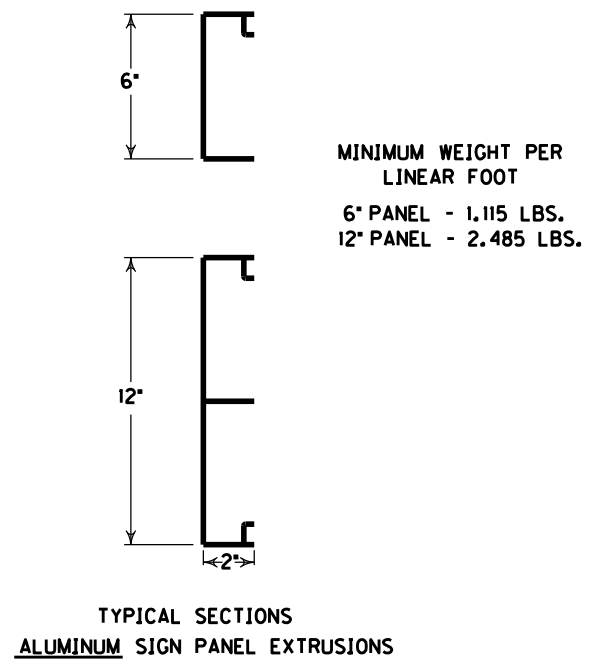


CHANNEL POST DETAILS



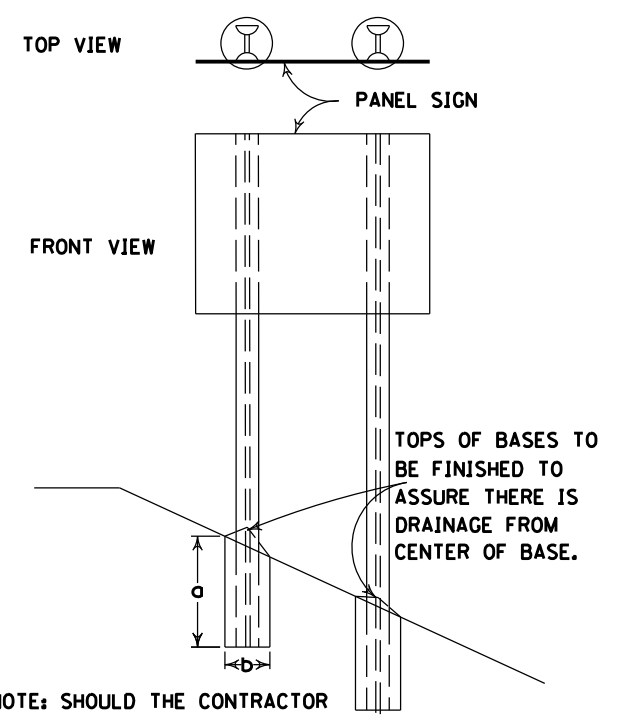
THE COST FOR 4.0" I.D. GALVANIZED STEEL PIPE FOR TYPE "D" BASE AND THE WORK FOR THE INSTALLATION SHALL BE INCLUDED IN THE BID ITEM FOR STEEL POST TYPE 2.

PANEL DETAILS



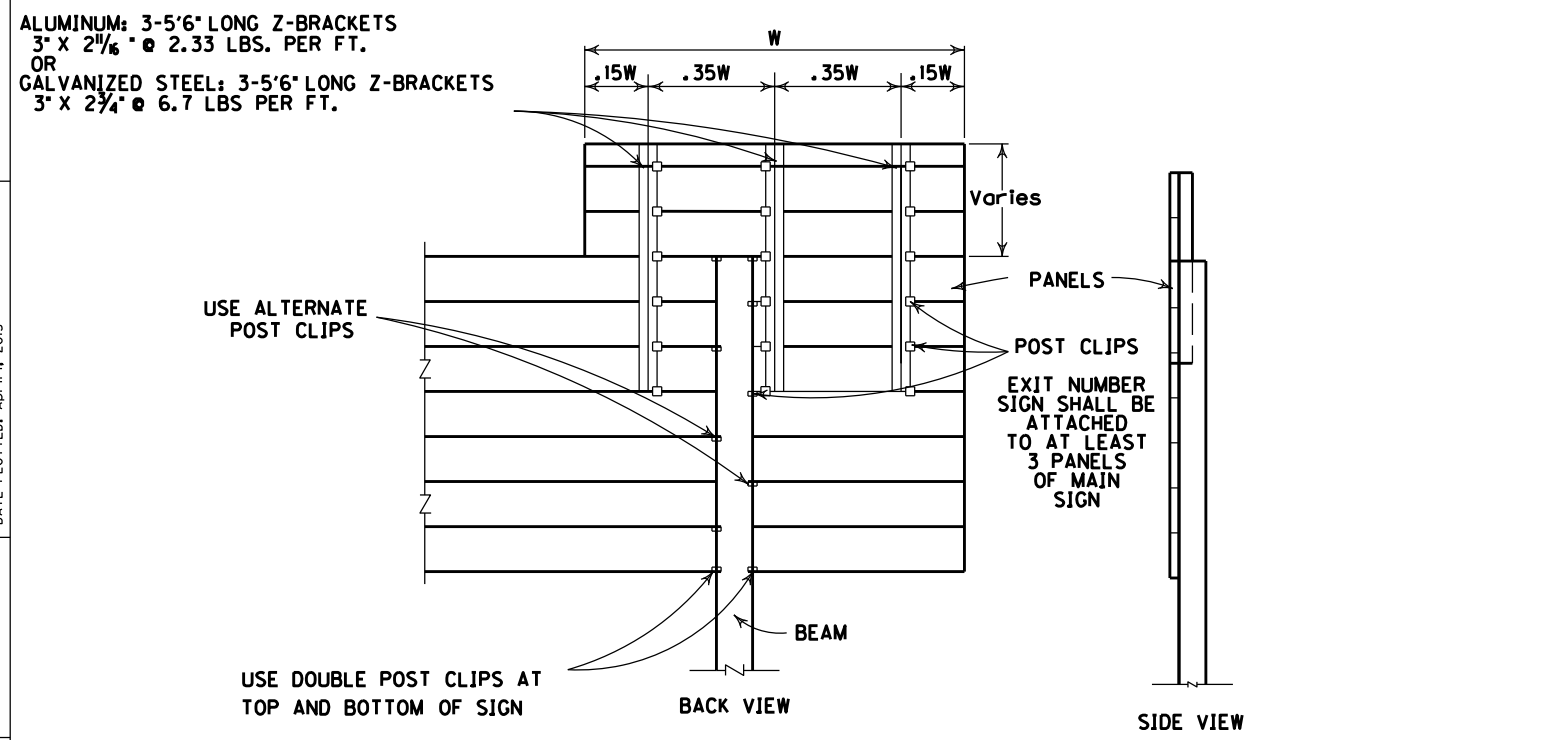
TYPICAL SECTIONS
ALUMINUM SIGN PANEL EXTRUSIONS

TYPICAL BEAM WITH TYPE "A" CONCRETE BASE DETAIL

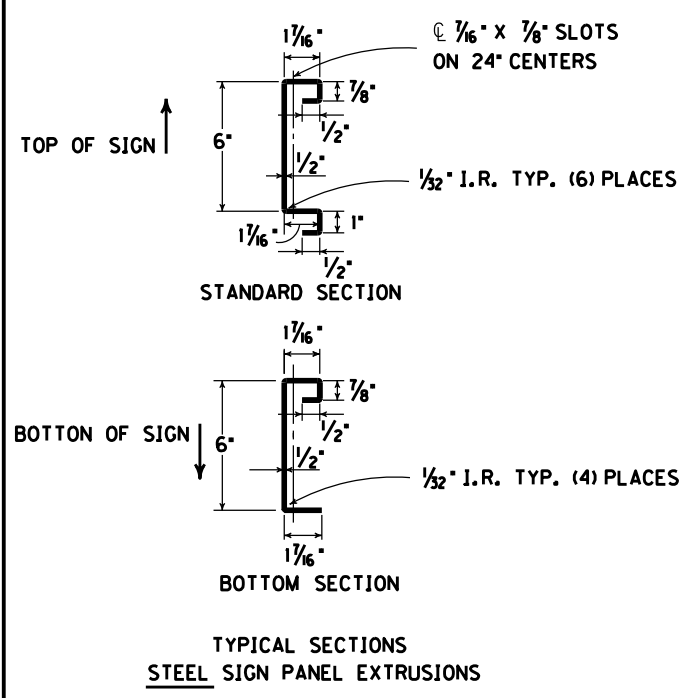


NOTE: SHOULD THE CONTRACTOR OVERDRILL THE HOLE, EXTRA CONCRETE WILL BE AT THE CONTRACTOR'S EXPENSE. PAYMENT WILL BE DETERMINED BY THE "a" DIMENSION.

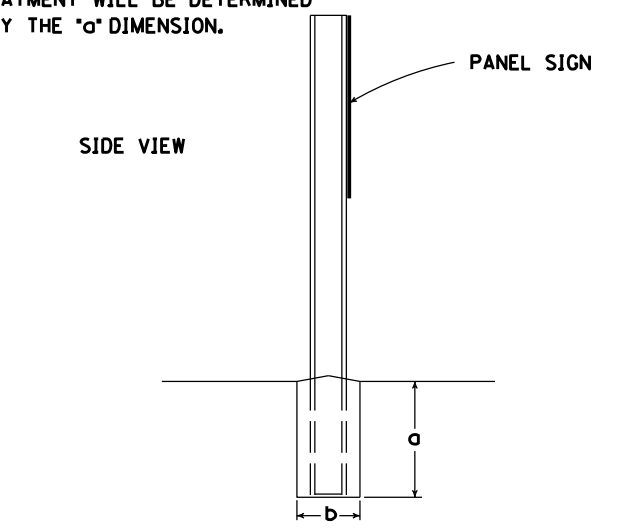
DETAIL FOR EXIT NUMBER SIGN ATTACHMENT AND TYPICAL POST CLIP ARRANGEMENT



NOTE: THE COST FOR ATTACHING AN EXIT NUMBER SIGN SHALL BE INCLUDED IN THE BID ITEM FOR SIGN BASE MATERIAL FOR PANEL SIGNS AND SHALL INCLUDE ALL Z-BRACKETS AND HARDWARE. THE EXIT NUMBER SIGN SHALL BE INSTALLED OVER THE LEFT OR RIGHT SIDE OF THE SIGN AS SHOWN ON THE PLANS.



TYPICAL SECTIONS
STEEL SIGN PANEL EXTRUSIONS



NOT TO SCALE

FILE NAME: G:\PWORK\JARROD.STANLEY\060939\TOI GEN MISC POSTS DETAIL SHEET .DGN
 USER: jarrod.stanley
 DATE PLOTTED: April 1, 2015
 E-SHEET NAME:
 MicroStation v8.1i.7.413