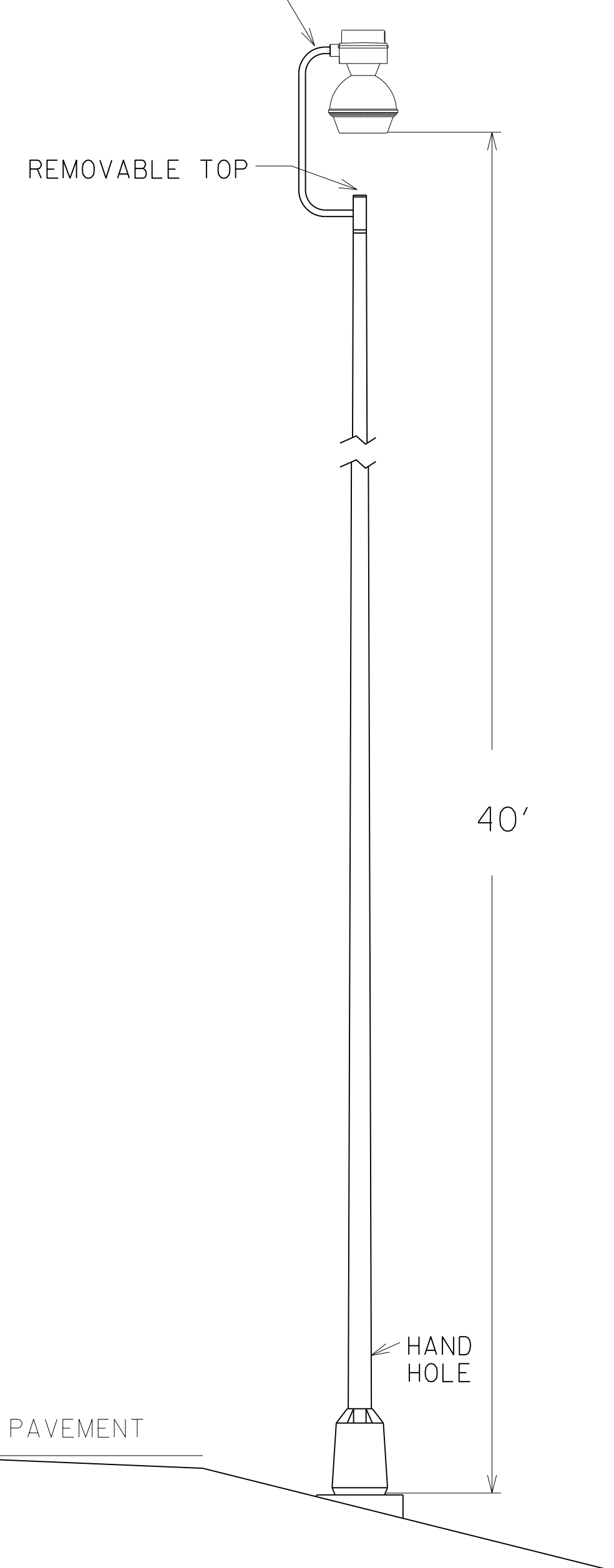


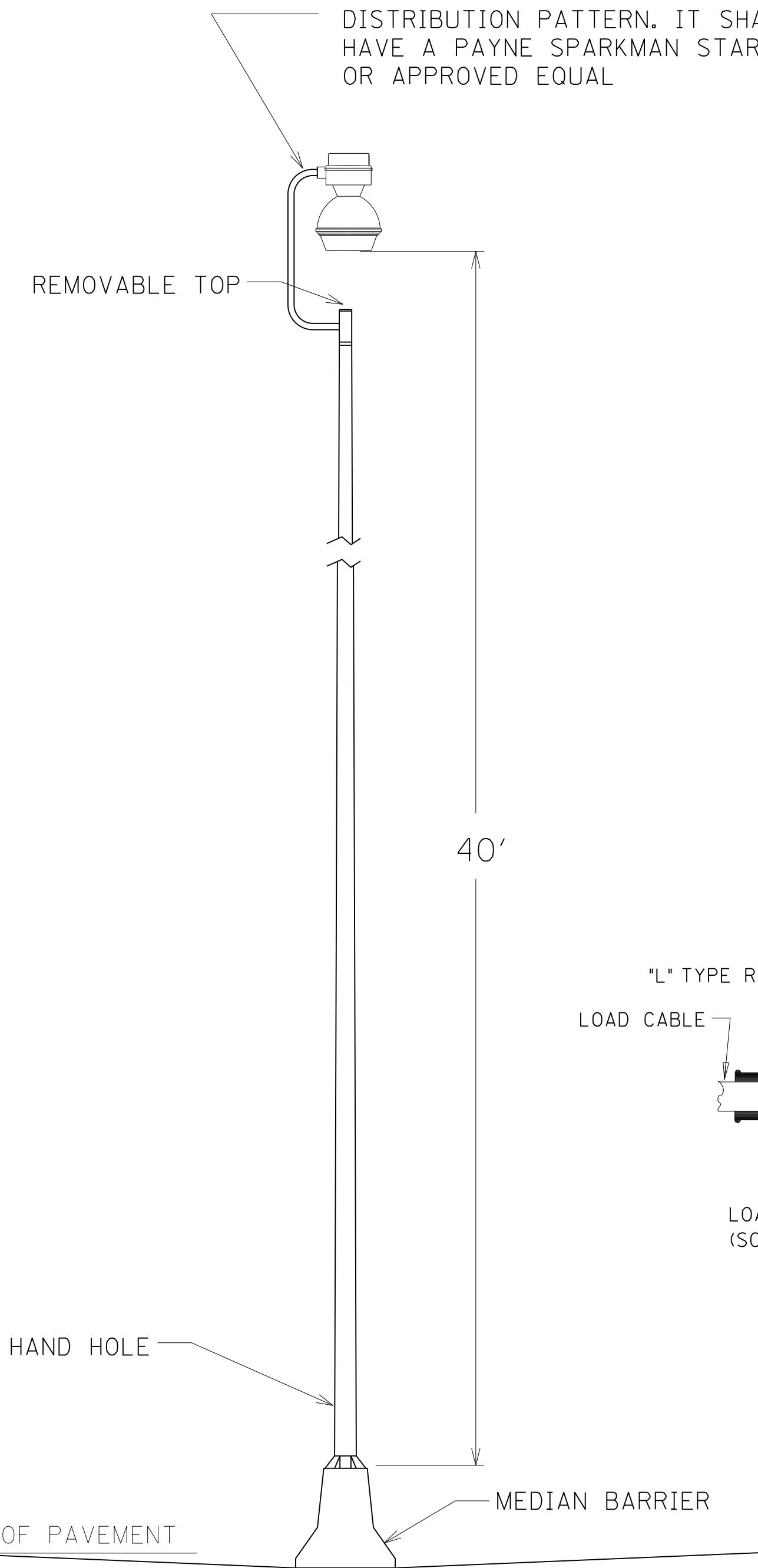
400 W HPS HIGH MAST LUMINAIRE WITH A LONG AND NARROW LIGHT DISTRIBUTION PATTERN. IT SHALL HAVE A PAYNE SPARKMAN STARTER OR APPROVED EQUAL



TYPICAL SHEPHERD'S CROOK DESIGN FOR HIGH PRESSURE

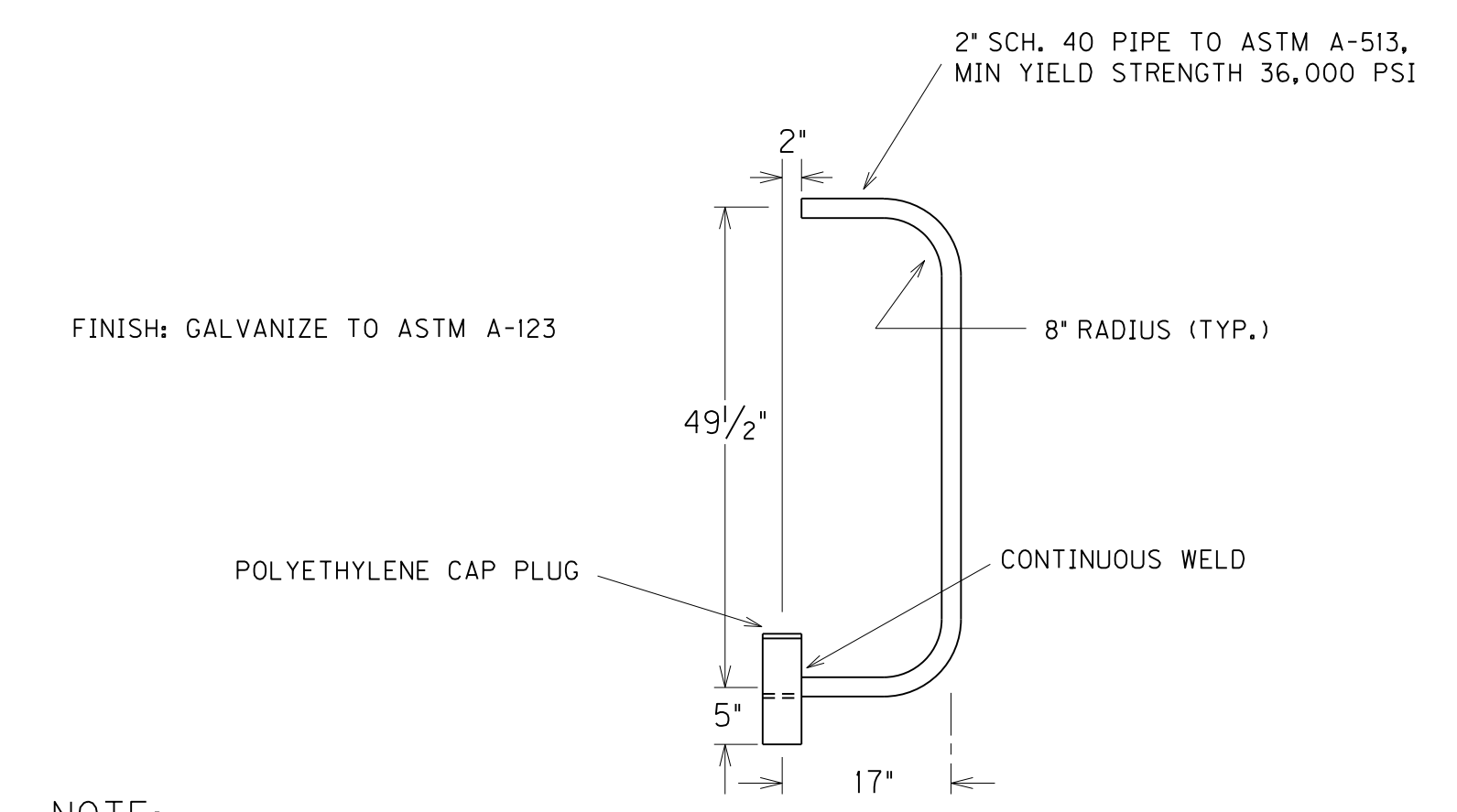
SODIUM LUMINAIRES ON TRANSFORMER BASE

400 W HPS HIGH MAST LUMINAIRE WITH A LONG AND NARROW LIGHT DISTRIBUTION PATTERN. IT SHALL HAVE A PAYNE SPARKMAN STARTER OR APPROVED EQUAL



TYPICAL SHEPHERD'S CROOK DESIGN FOR HIGH PRESSURE

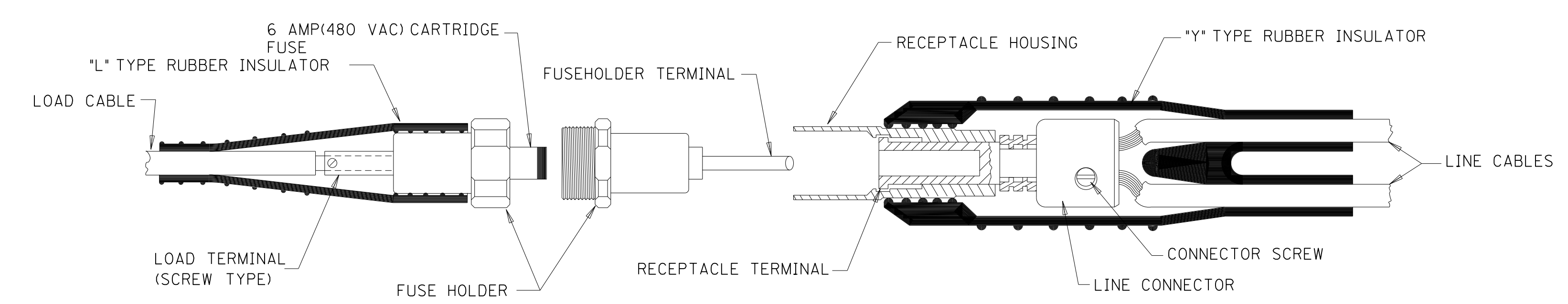
SODIUM LUMINAIRES FOR BARRIER WALLS



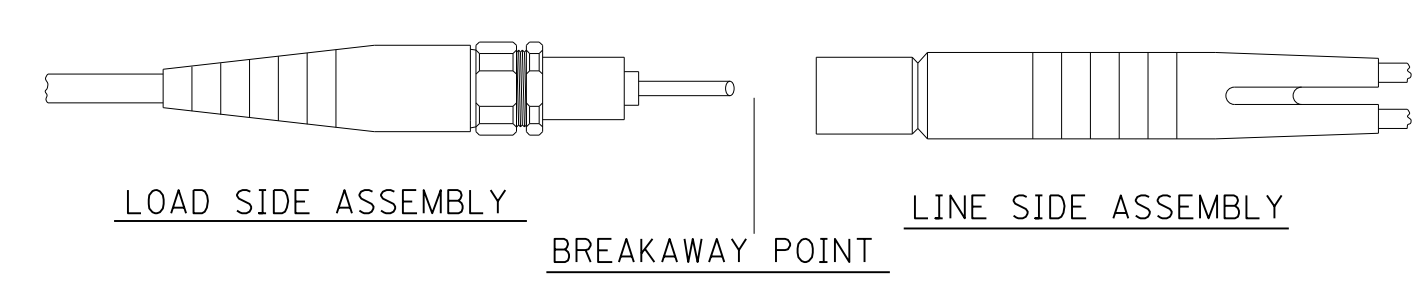
NOTE:

THE MOUNTING BRACKET FOR THE LUMINAIRE SHALL BE ATTACHED TO THE TOP OF THE POLE BY SLIPFITTING ON TO THE POLE TENON AND SECURING WITH THREE (3) 3/8-16 STAINLESS STEEL CUP POINT SET SCREWS LOCATED AT 120 DEGREE INTERVALS AROUND THE SLIPFITTER. THE BRACKET SHALL PROVIDE A MOUNTING ARRANGEMENT THAT POSITIONS THE LUMINAIRE OVER THE CENTER OF THE POLE. THE BRACKET SHALL BE DESIGNED FOR OPERATION WITH THE SPECIFIED LUMINAIRE AND BE CAPABLE OF WITHSTANDING THE SAME WIND FORCES AS THE POLE. THE BRACKET SHALL BE ABLE TO WITHSTAND THE VIBRATIONS ASSOCIATED WITH THIS TYPE OF INSTALLATION WITH THE LUMINAIRE INSTALLED; THE MANUFACTURER SHALL PROVIDE DOCUMENTATION THAT THE BRACKET HAS PASSED A VIBRATION TEST TO A MINIMUM OF 1.2 G'S FOR A MINIMUM OF 100,000 CYCLES.

THE MOUNTING BRACKET SHALL BE FABRICATED OF 2" SCHEDULE 40 PIPE PER ASTM A-513 WITH A MINIMUM YIELD STRENGTH OF 36,000 PSI. THE SLIPFITTER SHALL BE FABRICATED OF 2.5" SCHEDULE 40 PIPE PER ASTM A-105 WITH A MINIMUM YIELD STRENGTH OF 36,000 PSI OR OTHER SIMILAR SIZE TO FIT THE POLE TOP TENON. THE ENTIRE ASSEMBLY SHALL BE HOT DIP GALVANIZED PER ASTM A-123 FOR CORROSION PROTECTION. A POLYETHYLENE CAP SHALL BE PROVIDED FOR THE TOP OF THE SLIPFITTER.



DETAILS OF TYPE HEB-JW-RYC CONNECTOR



TYPE HEB-JW-RYC CONNECTOR SHOWN

SHEPHERD'S CROOK FUSE CONNECTOR DETAILS

FILE NAME: G:\PWORK\TED.SWANSEGAR\MS28754\04-SHEPHERD\FUSE (CLL).DGN
 USER: ted.swansegar
 DATE PLOTTED: February 19, 2018
 E-SHEET NAME:
 MicroStation v8.11.7.443
 6/10/2014