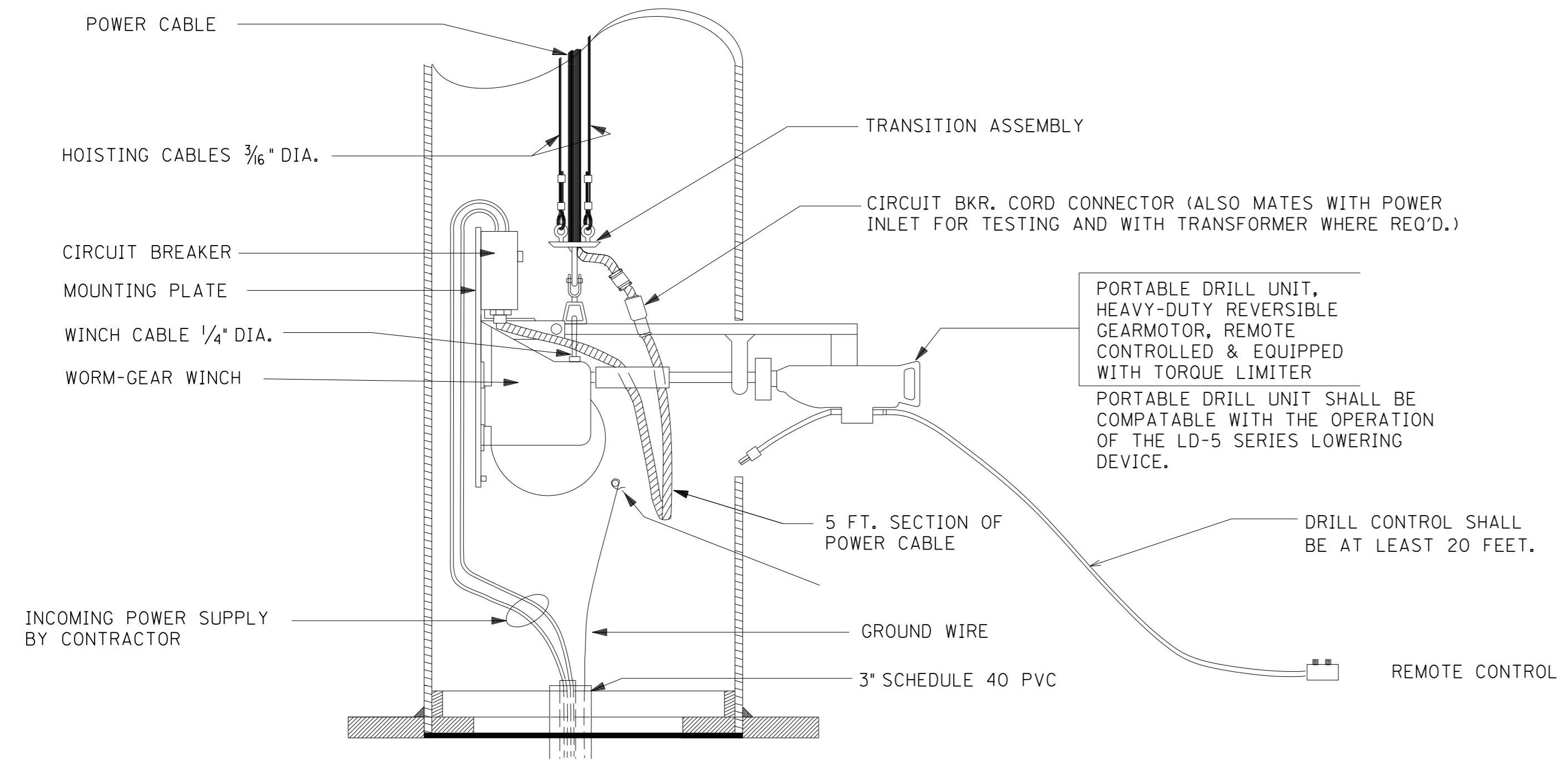
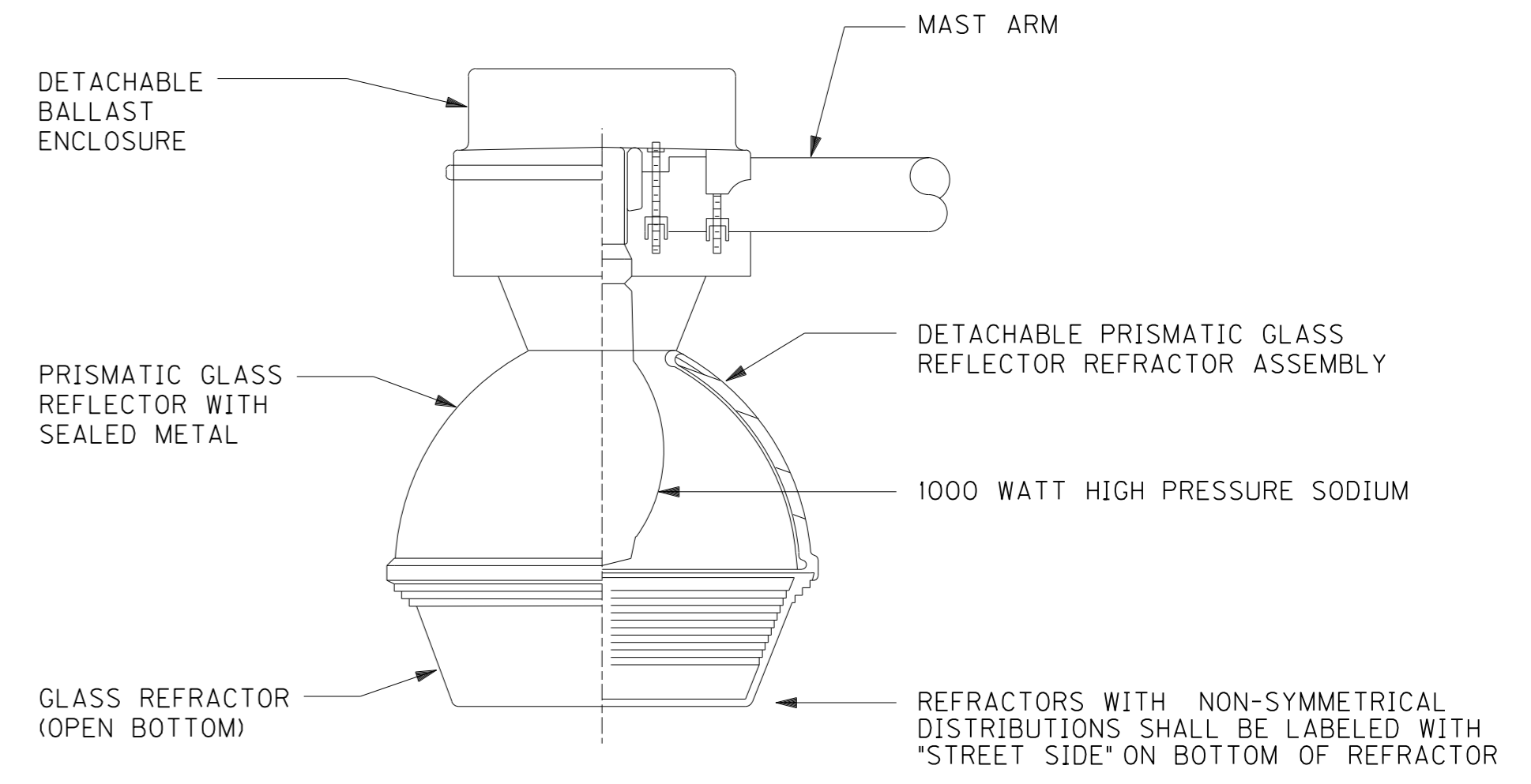


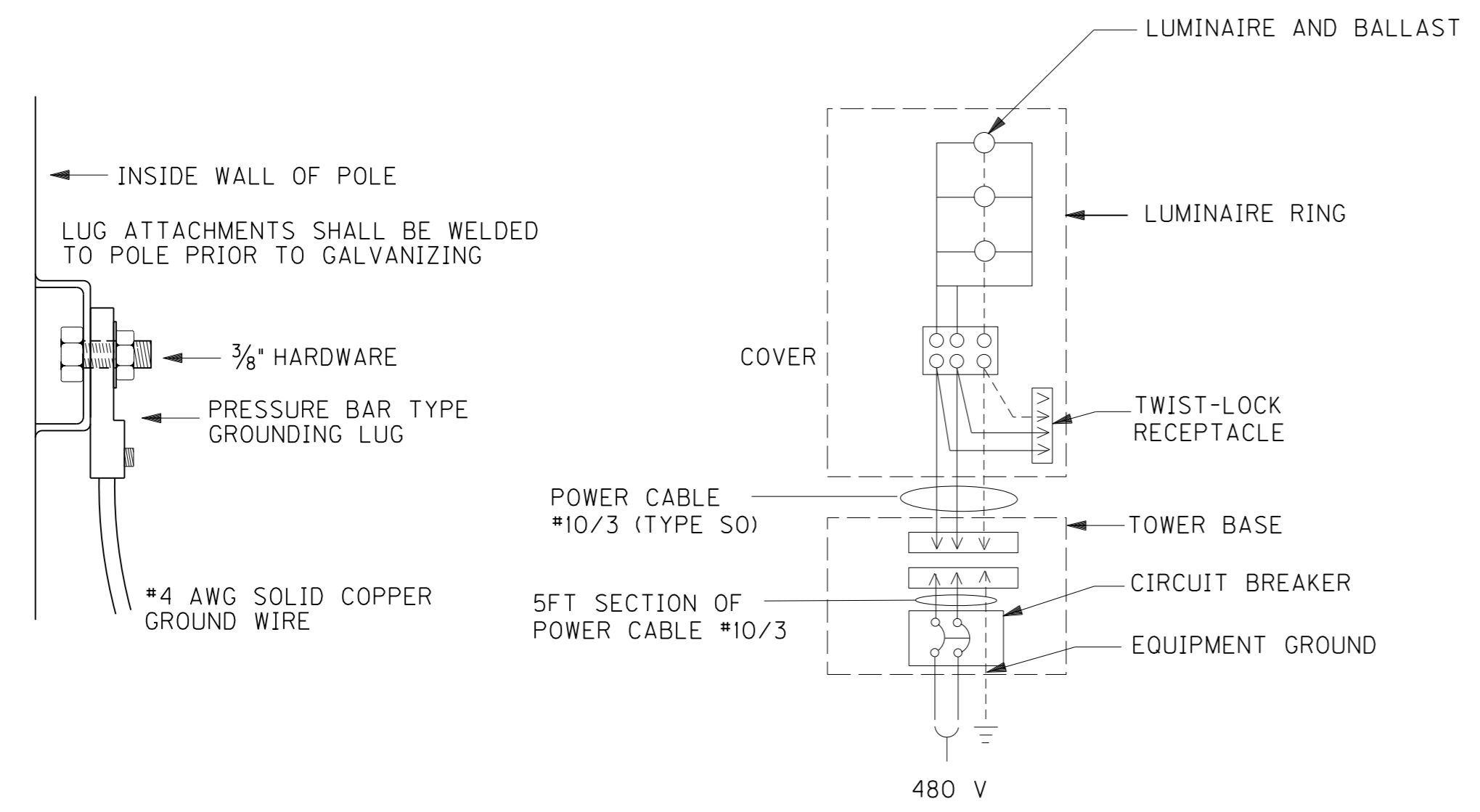
FILE NAME: G:\PIWORK\TED.SWANSEGAR\DM28754\05 10-HM POLE (HM).DGN  
 USER: ted.swansegar  
 DATE PLOTTED: February 19, 2018  
 E-SHEET NAME:  
 MicroStation v8.11.7.443  
 2-8-2016



POLE BASE DETAIL

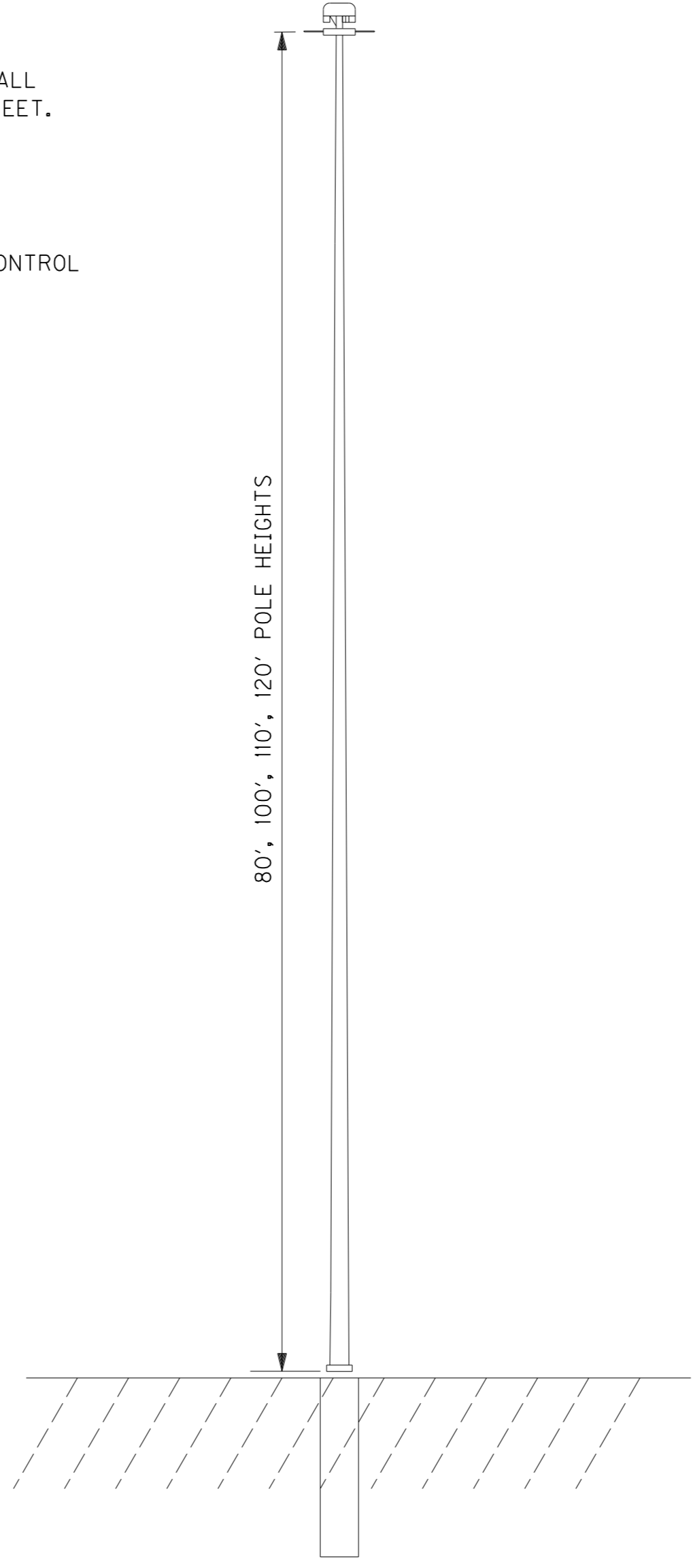


HIGH MAST LUMINAIRE  
NON-CUTOFF TYPE

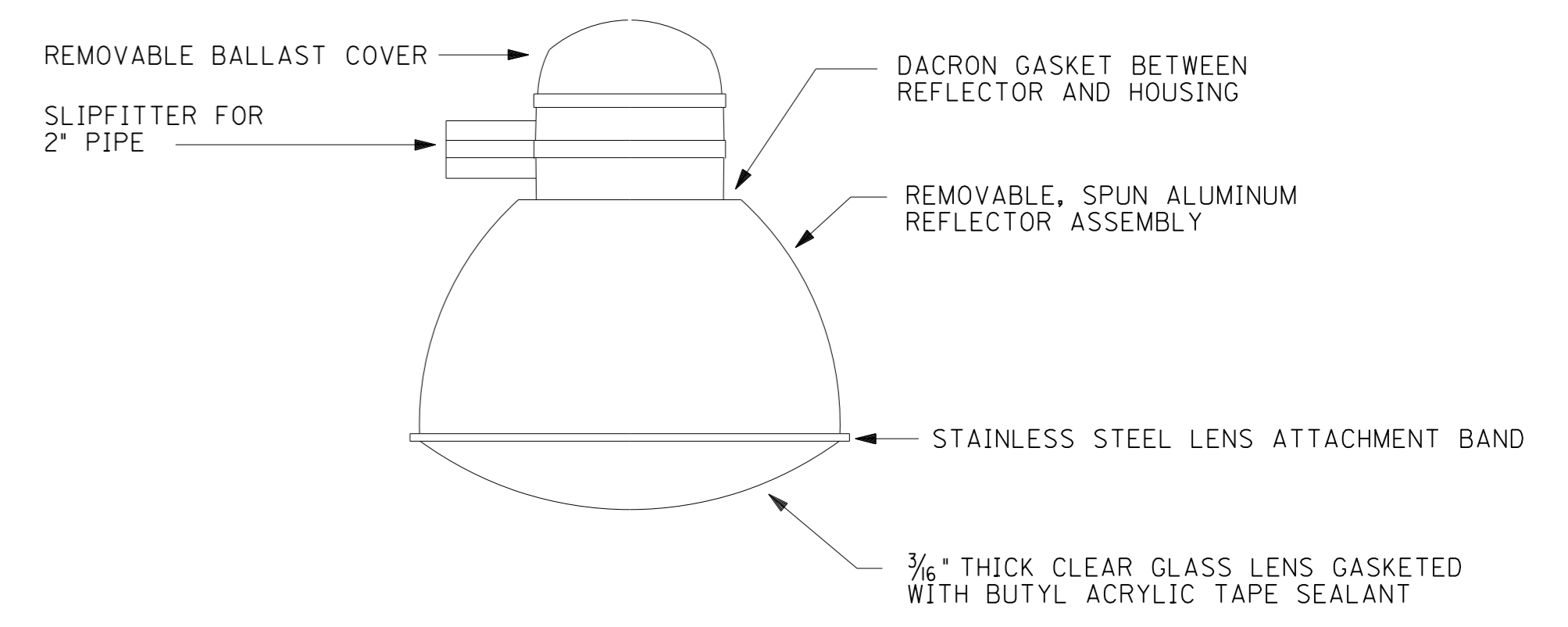


POLE GROUNDING LUG (3 REQ.)

WIRING ARRANGEMENT AT  
TOWER LOCATIONS



SEE HIGH MAST DETAIL SHEET



HIGH MAST LUMINAIRE  
CUTOFF TYPE

NUMBER OF PORTABLE POWER UNITS TO BE SUPPLIED 1