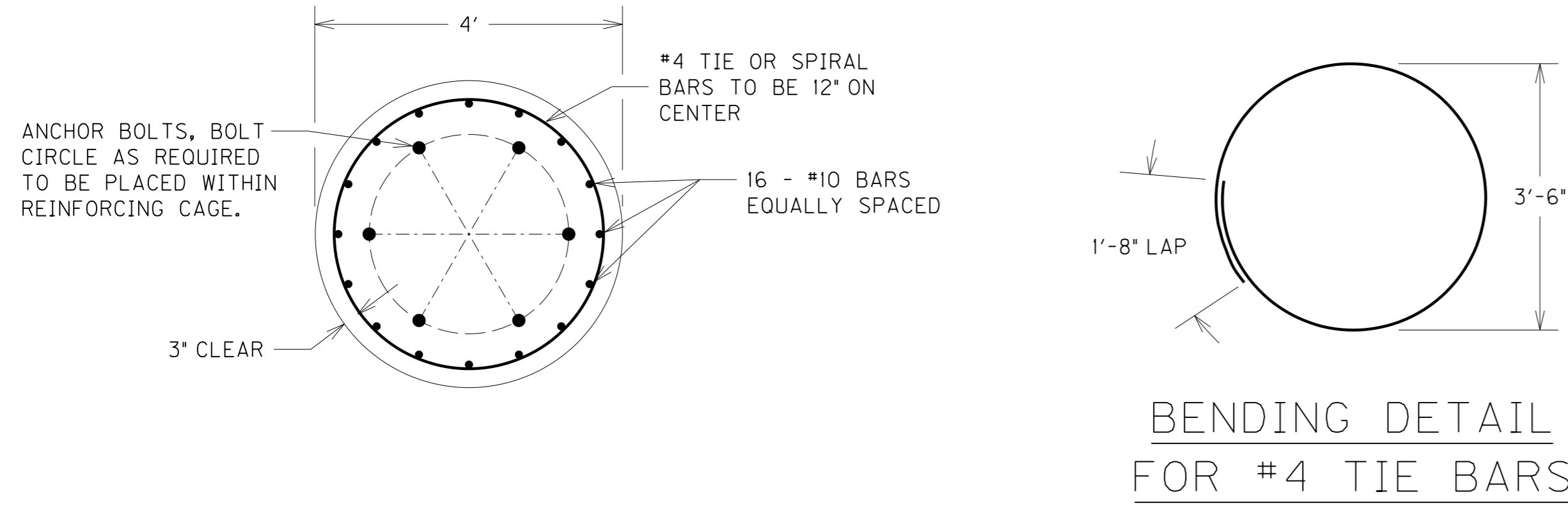
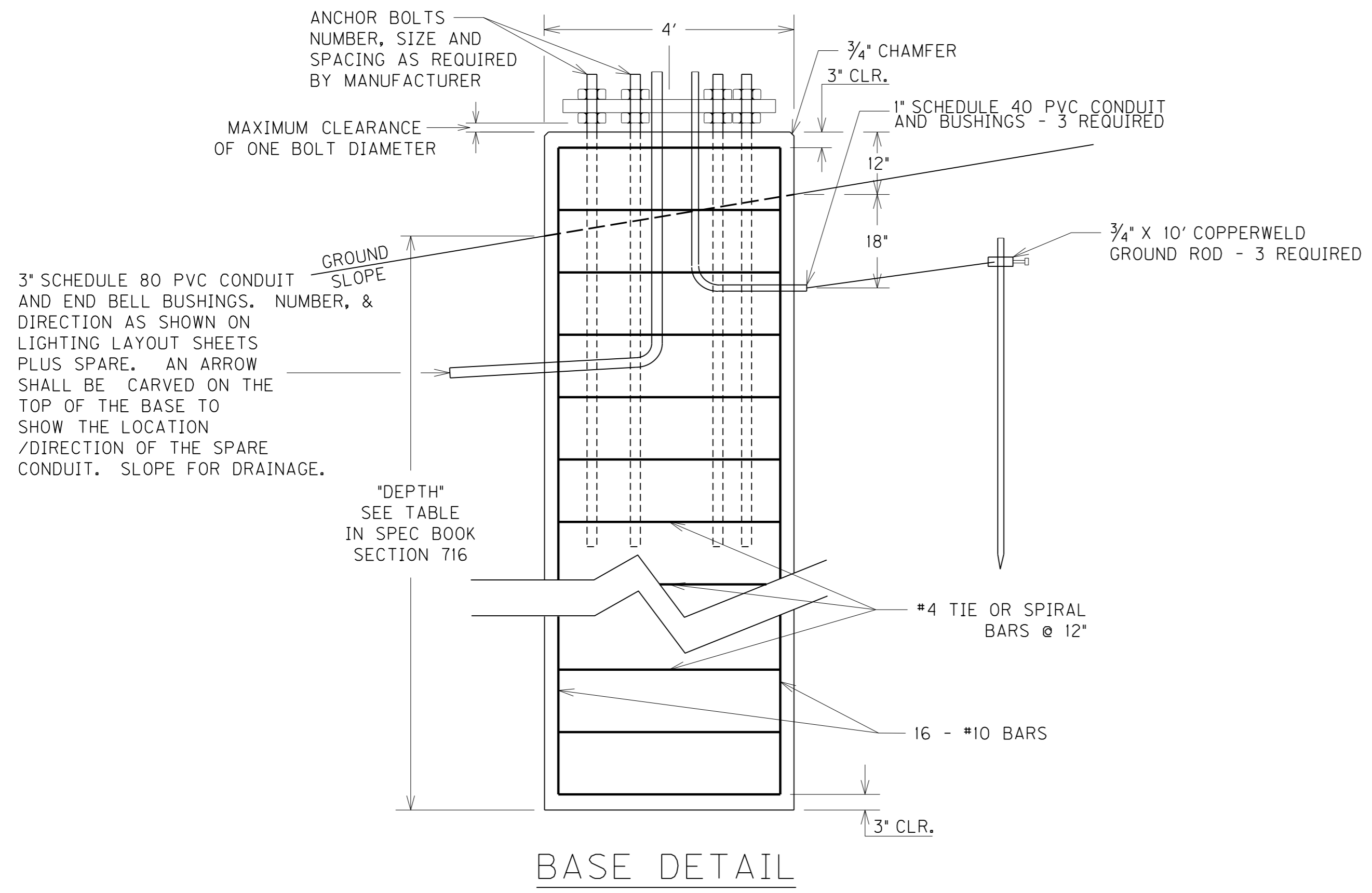


BASE DESIGN FOR UP TO 120' HIGH MAST POLES (WITH A MAXIMUM OF TWELVE LUMINAIRES)

COUNTY OF	ITEM NO.	SHEET NO.

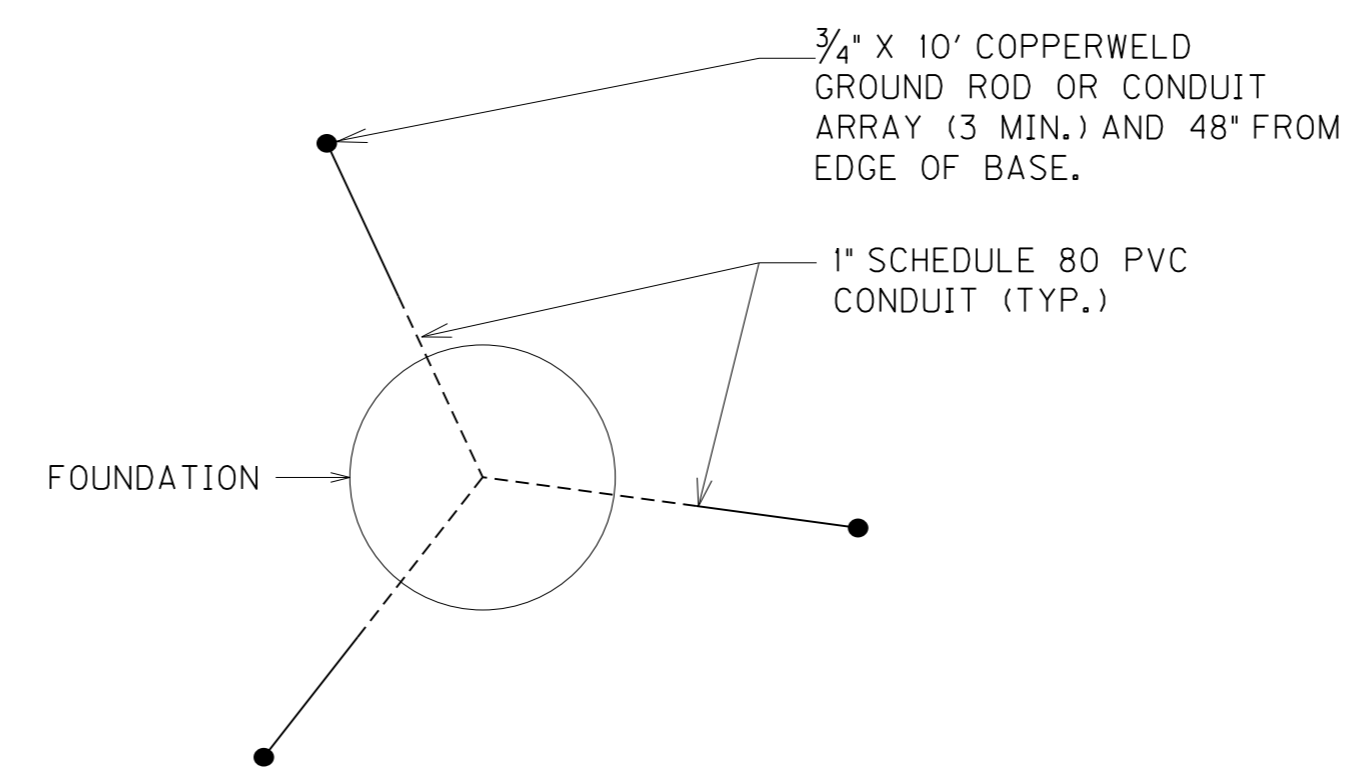


BENDING DETAIL FOR #4 TIE BARS

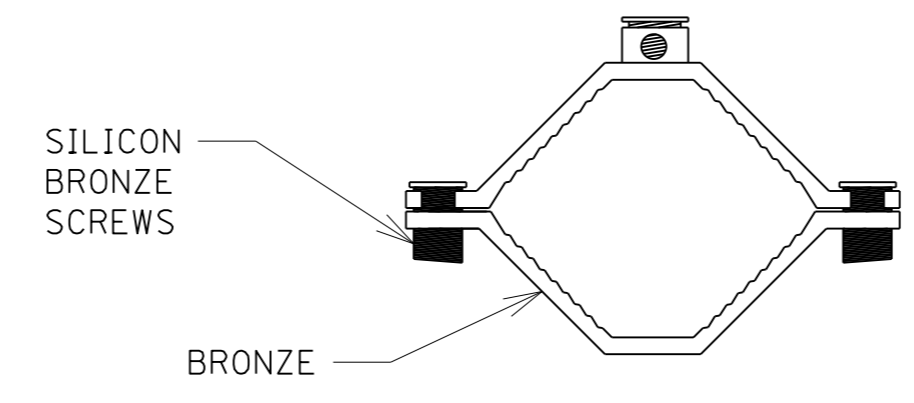


BASE DETAIL

NOTES:
ALL CONDUITS SHALL BE INSTALLED AT LEAST 6 INCHES FROM THE BOTTOM OF THE DOOR FRAME. ALL CONDUITS USED FOR THE GROUNDING AND CONDUCTORS ARE INCIDENTAL TO BID ITEM '23161EN'. THIS INCLUDES PROVIDING A MINIMUM OF 24 INCHES OF CONDUIT PAST THE EDGE OF THE POLE BASE.

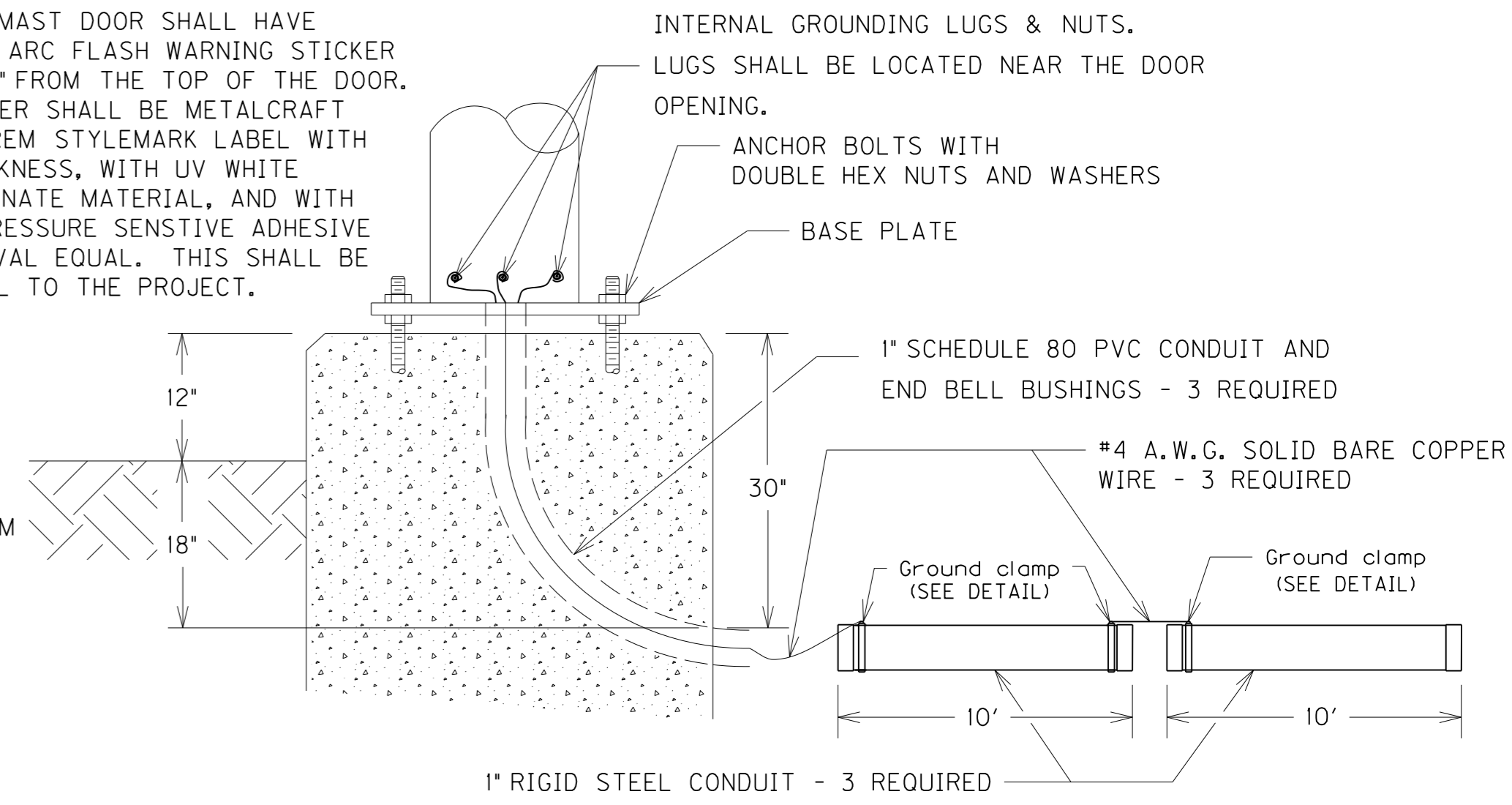


GROUND ROD PLACEMENT DETAIL



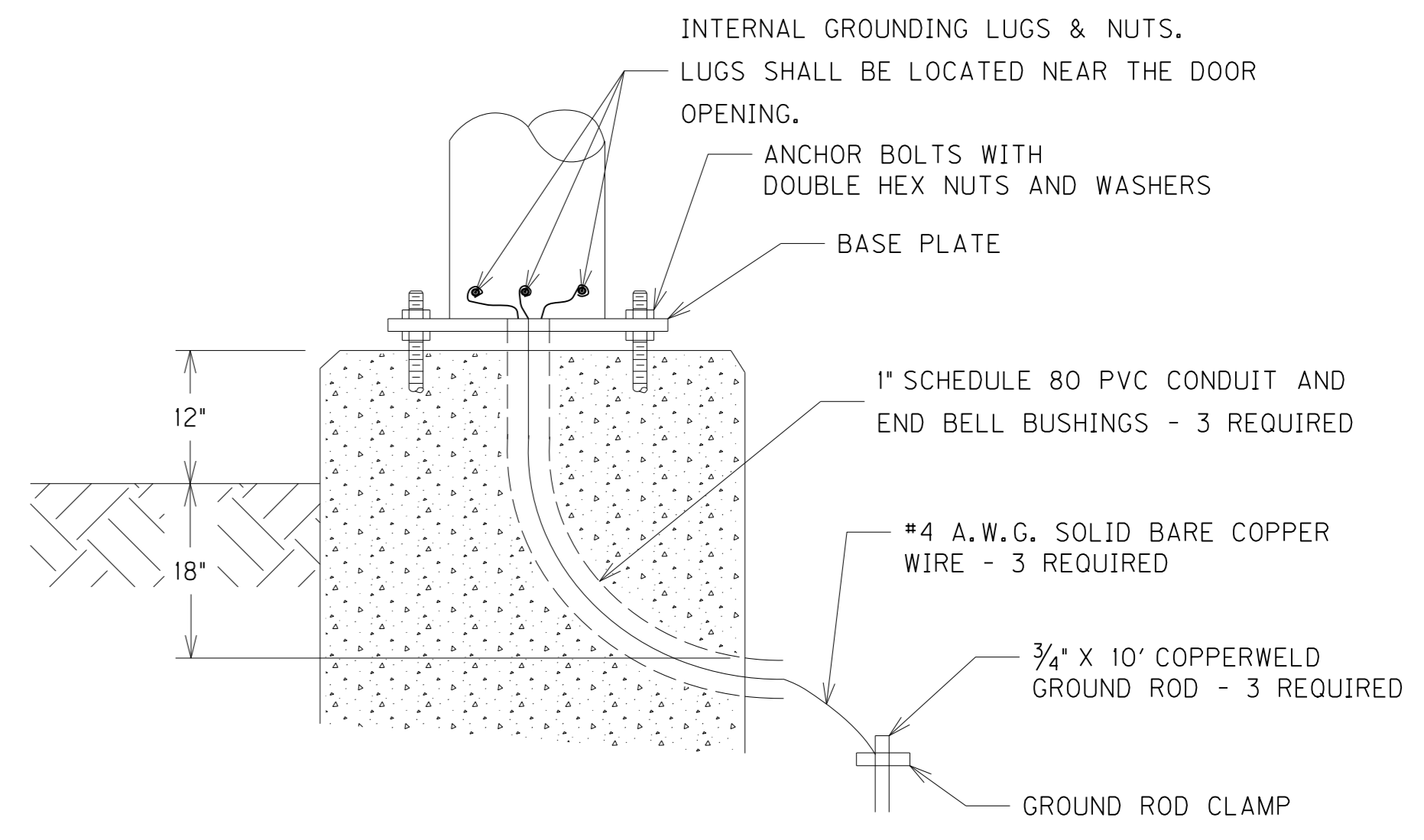
DIRECT BURIAL GROUND CLAMP

NOTE:
THE HIGH MAST DOOR SHALL HAVE A 4" BY 6" ARC FLASH WARNING STICKER INSTALL 3" FROM THE TOP OF THE DOOR. THE STICKER SHALL BE METALCRAFT PLY695 PREM STYLEMARK LABEL WITH .007 THICKNESS, WITH UV WHITE POLYCARBONATE MATERIAL, AND WITH MC53FL PRESSURE SENSITIVE ADHESIVE OR APPROVAL EQUAL. THIS SHALL BE INCIDENTAL TO THE PROJECT.



GROUNDING NOTE: TOWERS SHALL BE GROUNDED BY MEANS OF THREE NO. 4 A.W.G. SOLID BARE COPPER GROUND WIRES ATTACHED TO THE INTERNAL GROUNDING LUGS WITHIN THE TOWER. GROUND WIRES SHALL BE CONNECTED TO PIPE CLAMPS AS SHOWN ABOVE.

GROUNDING AND CONDUIT ARRAY ENTRANCE DETAIL FOR ROCK AREAS



GROUNDING NOTE: TOWERS SHALL BE GROUNDED BY MEANS OF THREE NO. 4 A.W.G. SOLID BARE COPPER GROUND WIRES ATTACHED TO THE INTERNAL GROUNDING LUGS WITHIN THE TOWER. GROUND WIRES SHALL BE CONNECTED TO PIPE CLAMPS AS SHOWN ABOVE.

GROUNDING AND CONDUIT ENTRANCE DETAIL

FILE NAME: G:\PWORK\TED.SWANSEGAR\DM528754\04_09-HM- BASE (HM).DCN
 USER: ted.swansegar
 DATE PLOTTED: February 19, 2018
 E-SHEET NAME:
 MicroStation v8.11.7.443