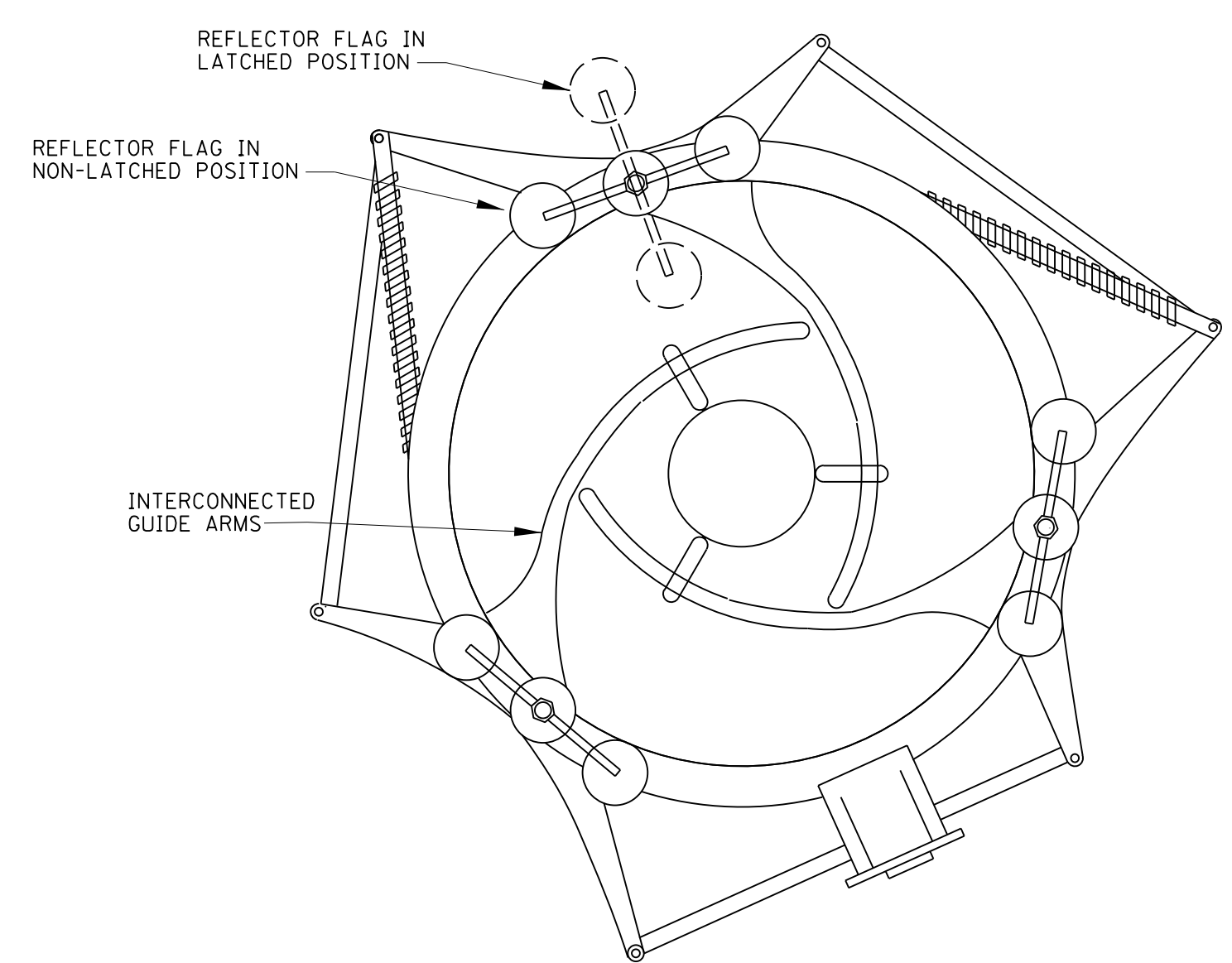
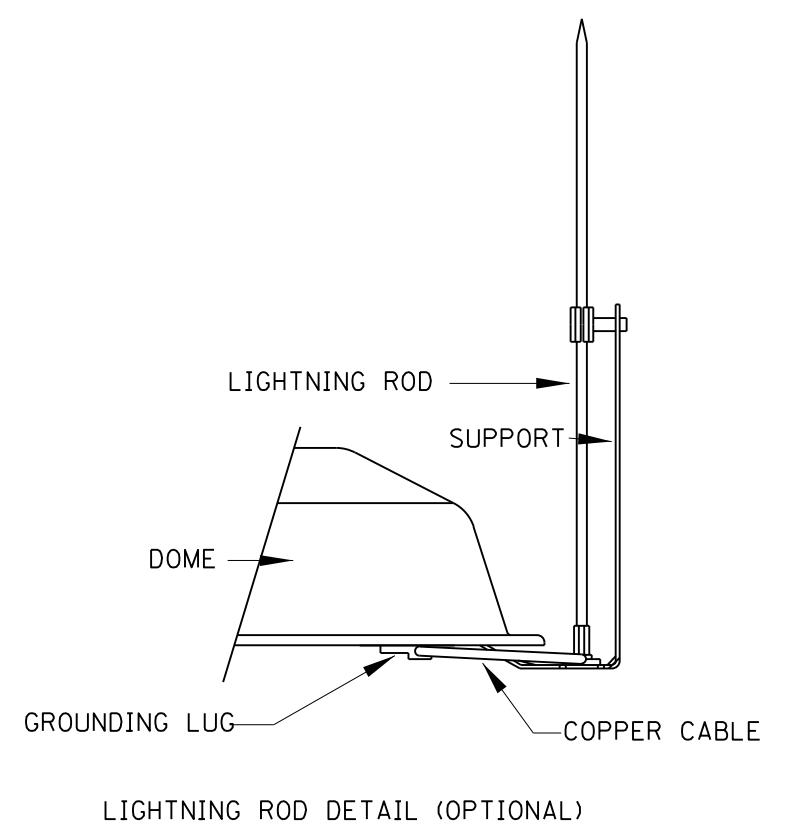
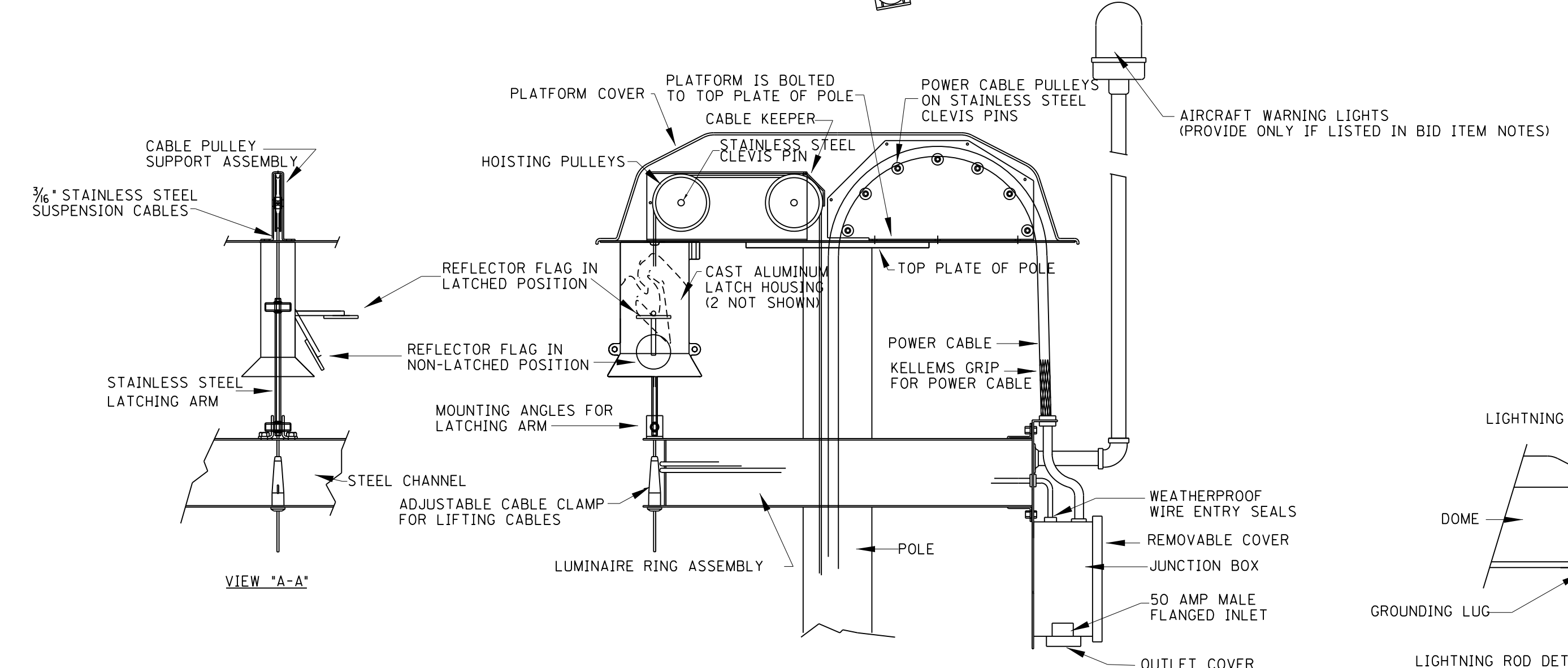
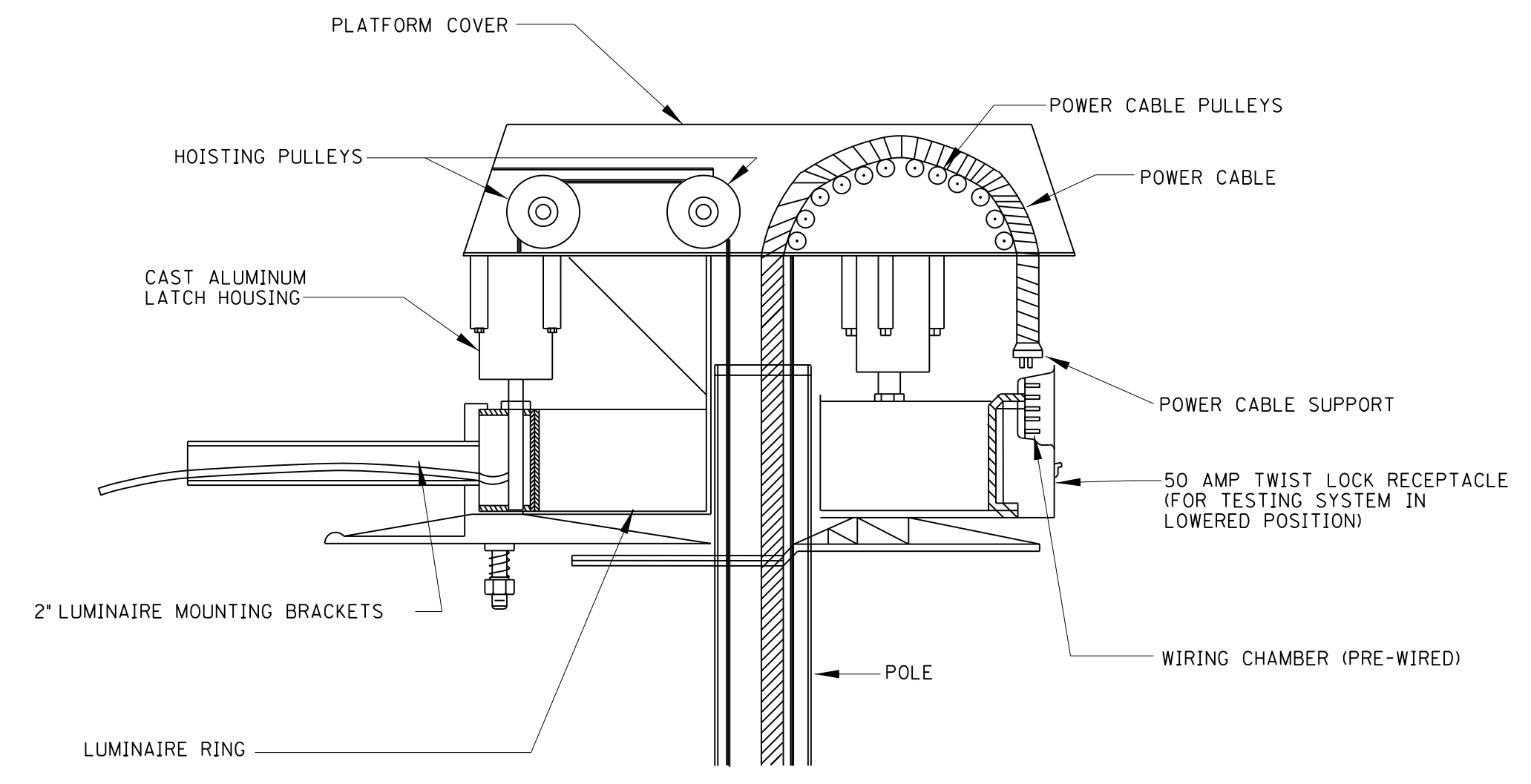
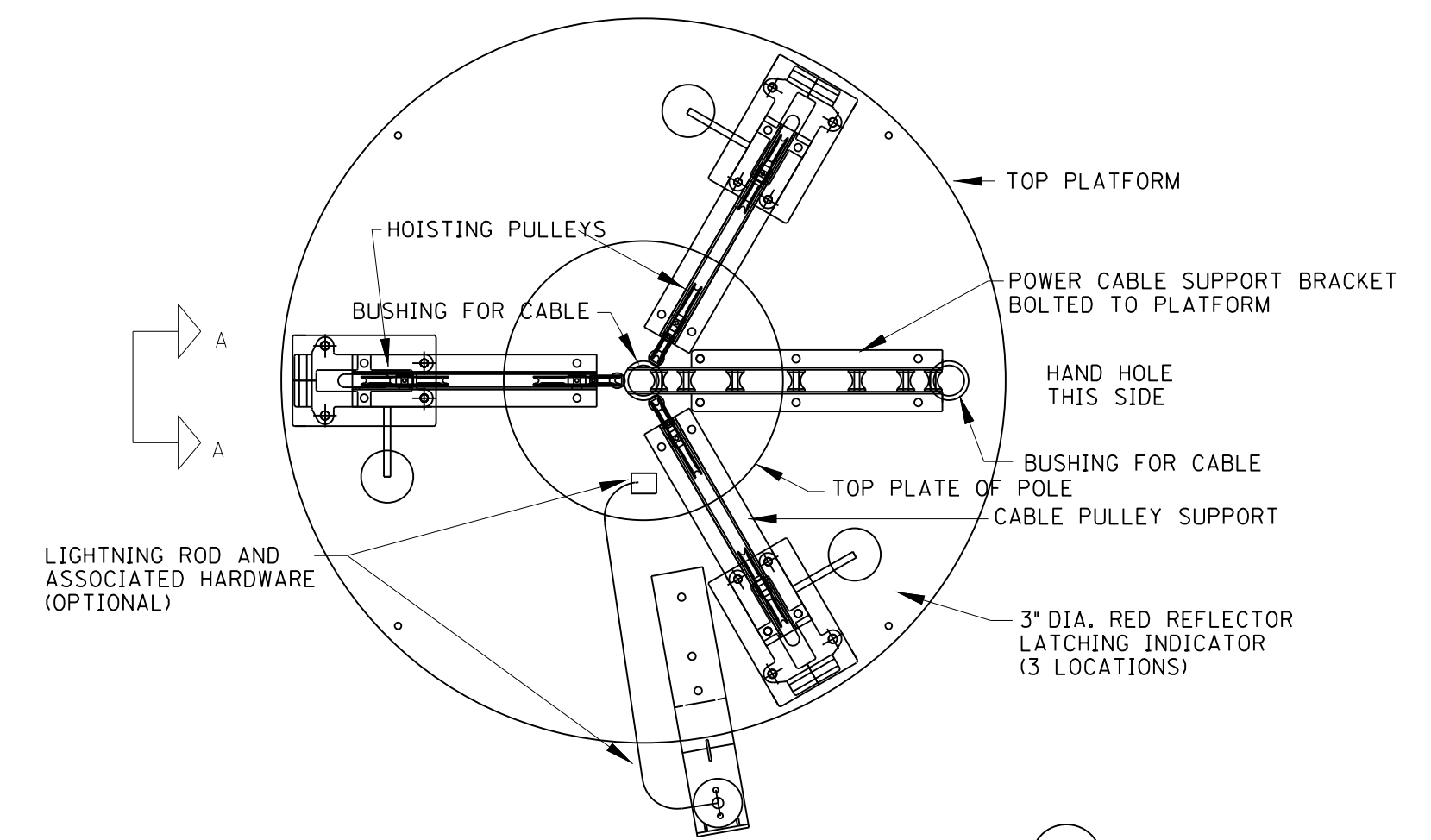
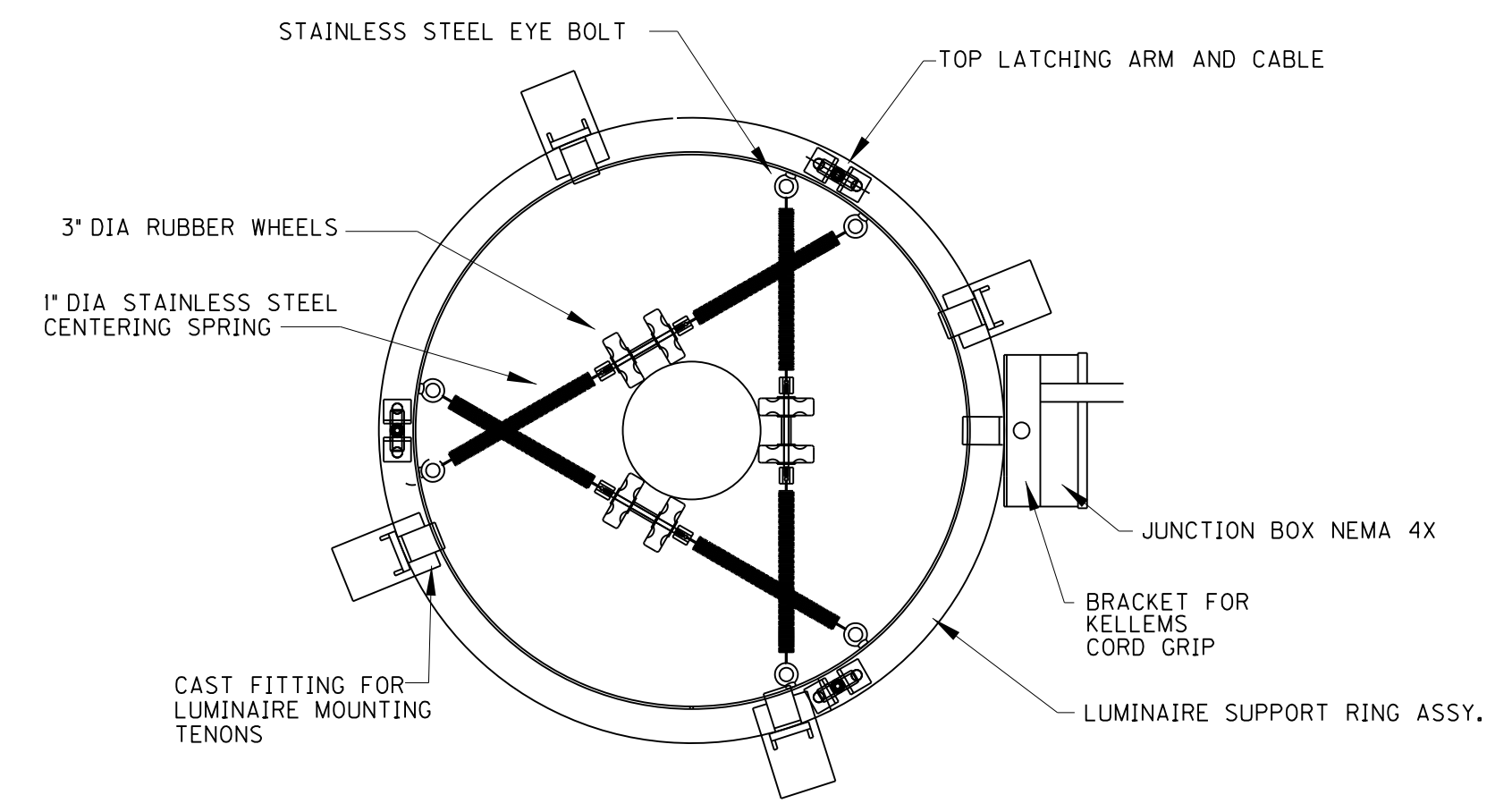


HEADFRAME ASSEMBLY - TOP VIEW



LUMINAIRE RING ASSEMBLY - TOP VIEW



HEADFRAME & LUMINAIRE RING DETAILS - ROTARY LATCHING TYPE

HEADFRAME & LUMINAIRE RING DETAILS - LATERAL LATCHING TYPE

FILE NAME: G:\PIWORK\TED.SWANSEGAR\DM528754\03_08-HM_LOW_DEVICE (HM).DCN
 USER: ted.swansegar
 DATE PLOTTED: February 19, 2018
 E-SHEET NAME:
 MicroStation v8.11.7.180