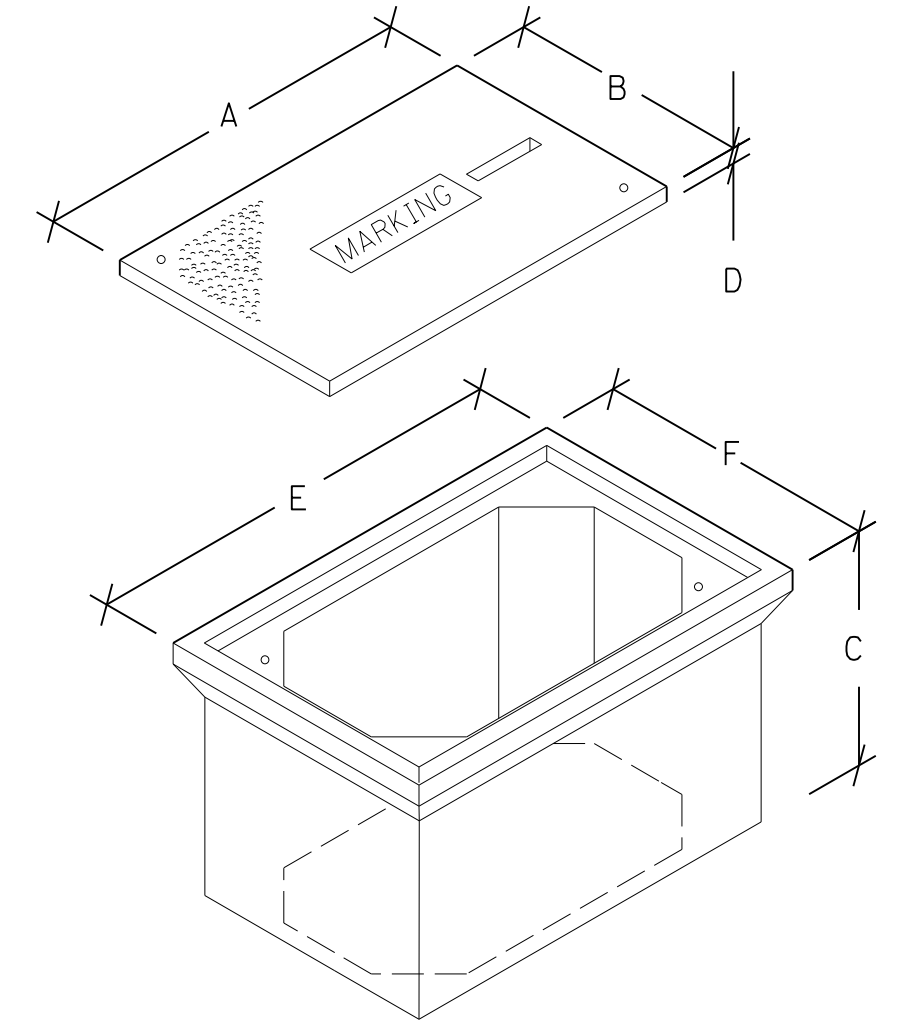
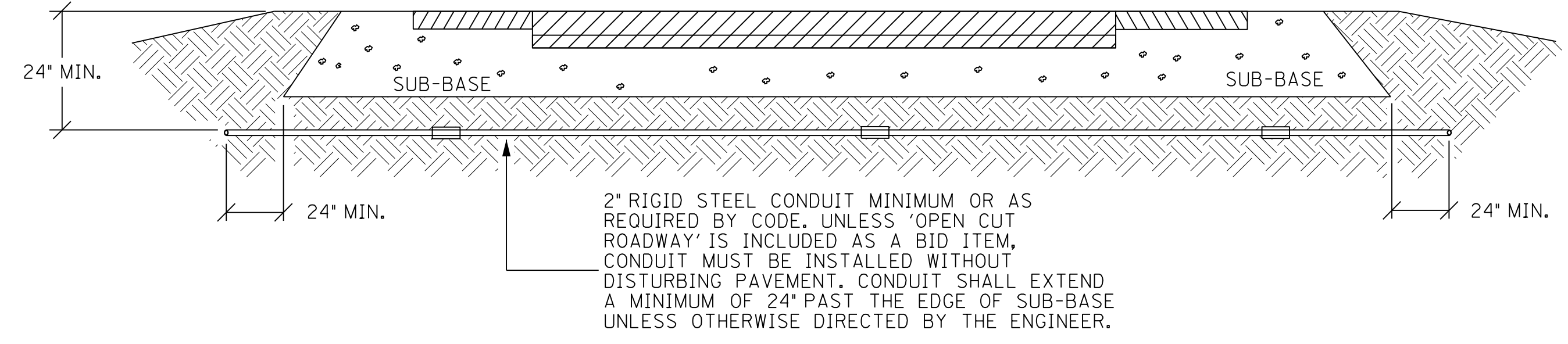
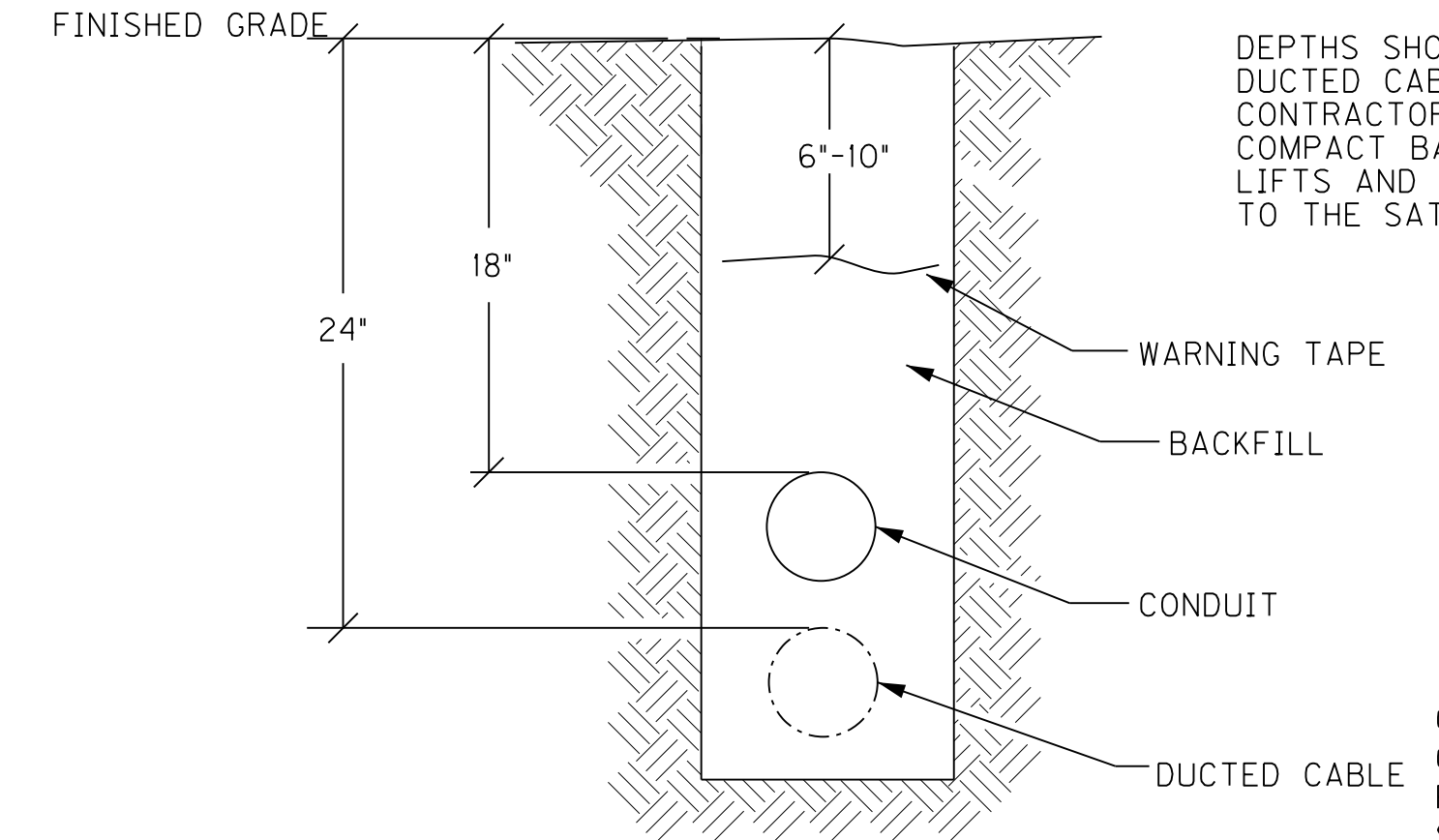


JUNCTION BOX DIMENSIONS (NOMINAL)						
	A	B	C	D	E	F
TYPE A	23"	14"	27"	2"	25"	15"
TYPE B	18"	11"	12"	1 3/4"	20"	13"
TYPE C	36"	24"	30"	3"	38"	26"

• MINIMUM
NOTE: STACKABLE BOXES ARE PERMITTED
JUNCTION BOX

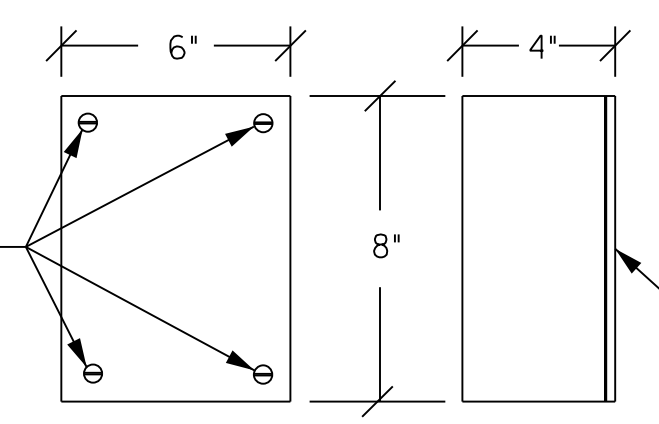


CONDUIT INSTALLATION UNDER EXISTING PAVEMENT DETAIL

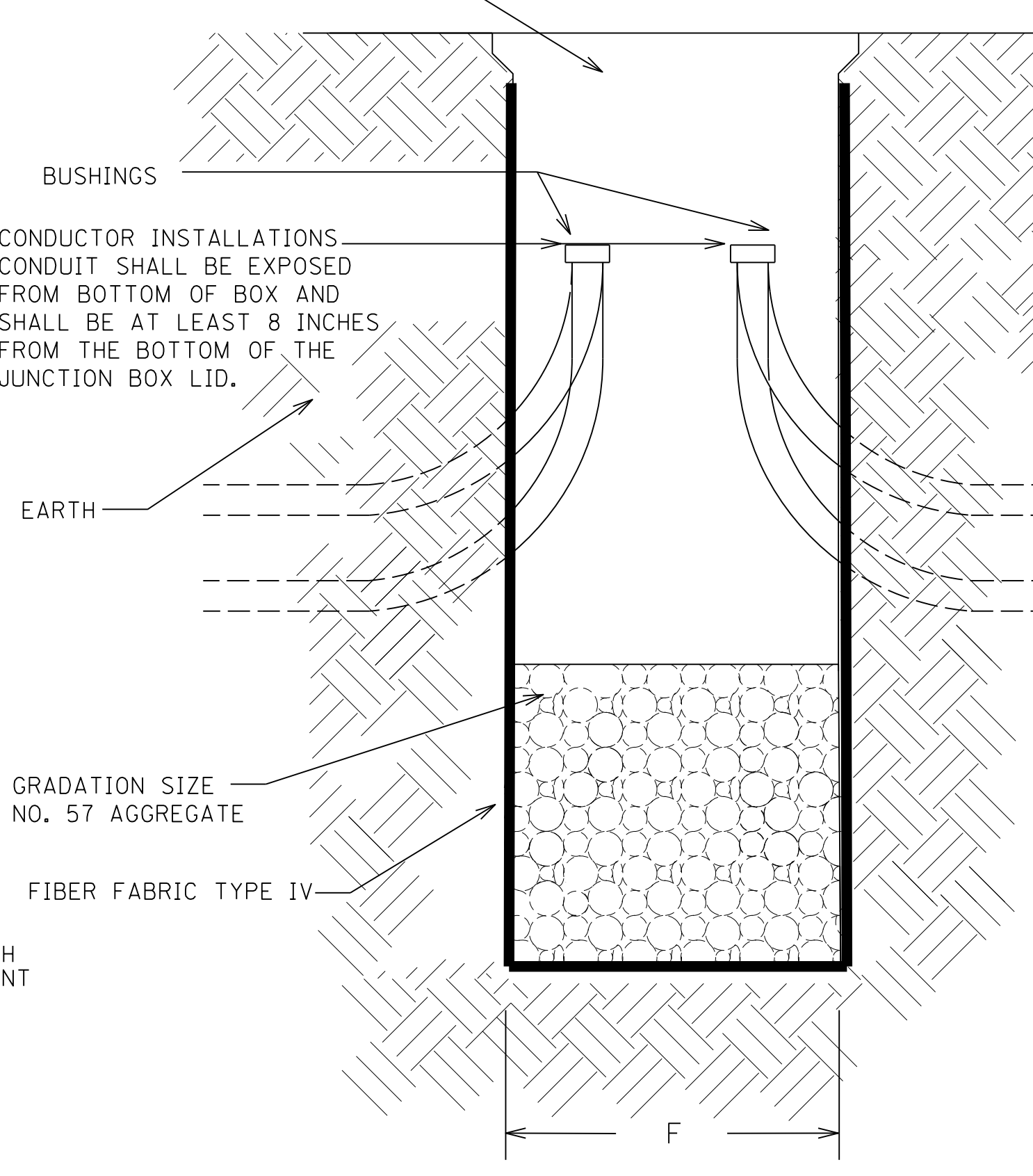


CONDUIT, DUCTED CABLE, AND WARNING TAPE TRENCH

ABOVE GROUND BOX SHALL BE FABRICATED FROM MINIMUM 12 GAUGE STEEL AND GALVANIZED AFTER FABRICATION. BOXES SHALL HAVE NO KNOCKOUTS AND SHALL BE PROVIDED WITH A PLATE COVER WITH A WEATHER RESISTANT GASKET AND A MINIMUM OF FOUR SCREWS FOR ATTACHING THE PLATE COVER TO THE BOX. CABLE CLAMPS SHALL BE PROVIDED FOR CABLES ENTERING AND EXITING THE BOX.

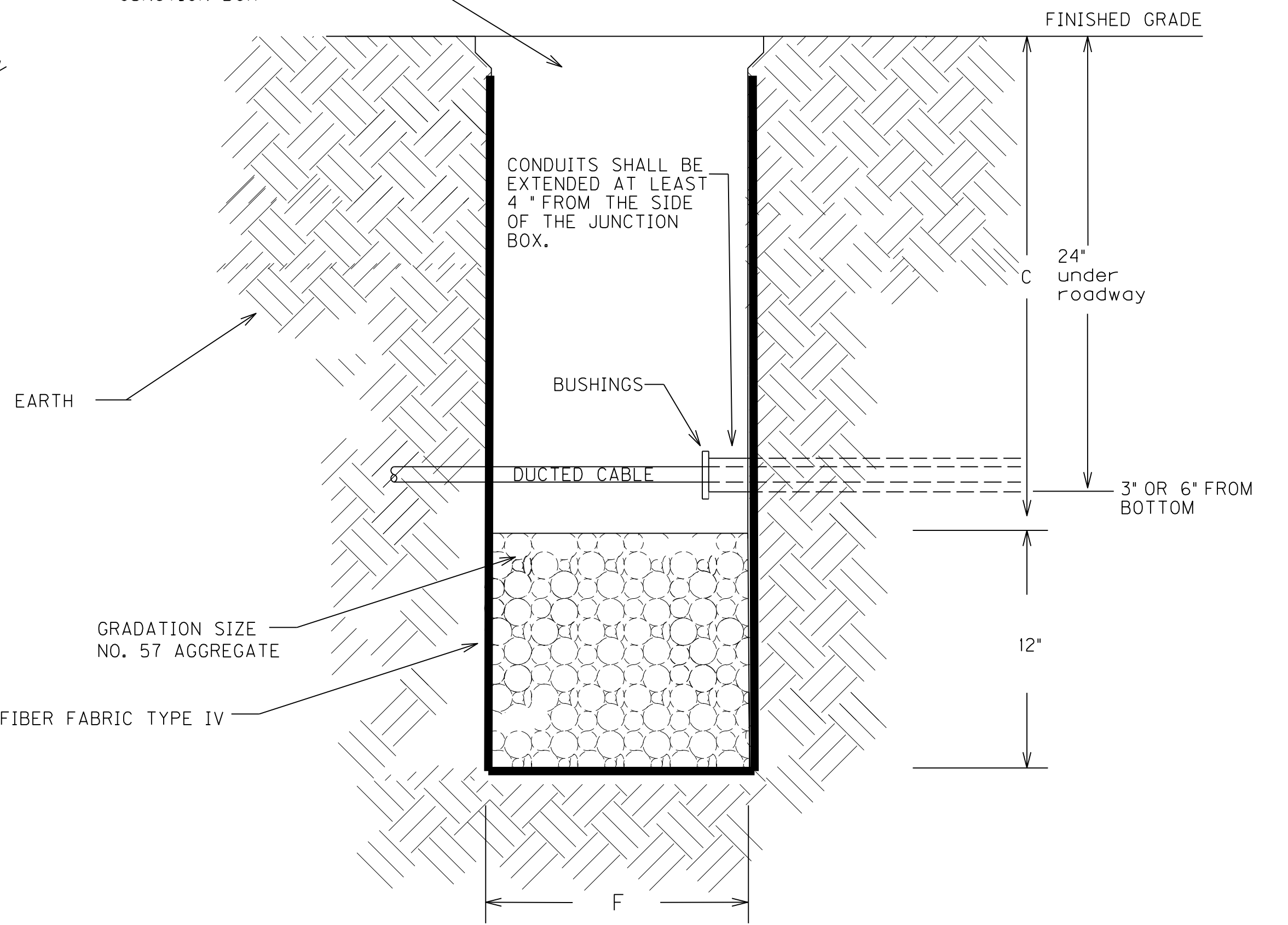


ABOVE GROUND BOX

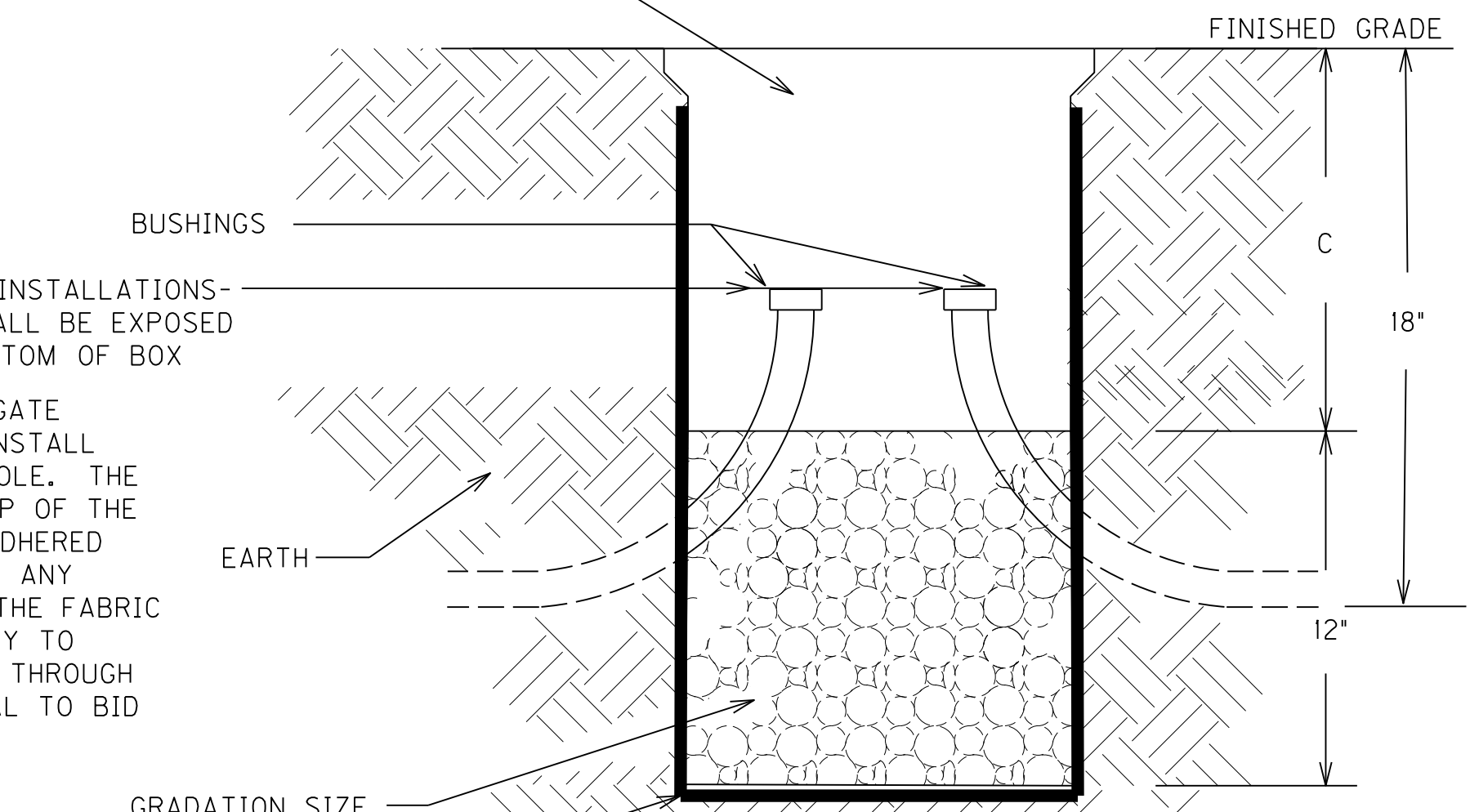


JUNCTION BOX INSTALLATION FOR CONVENTIONAL LIGHTING

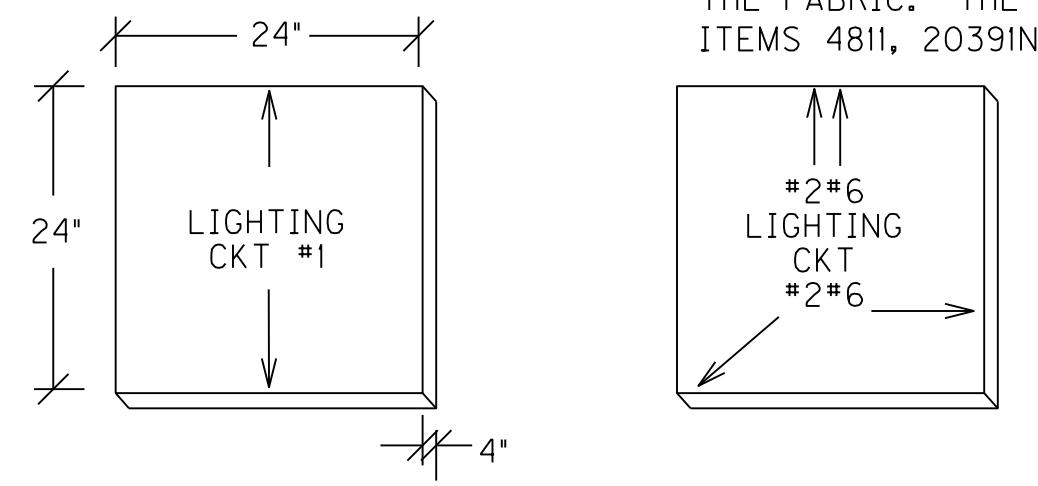
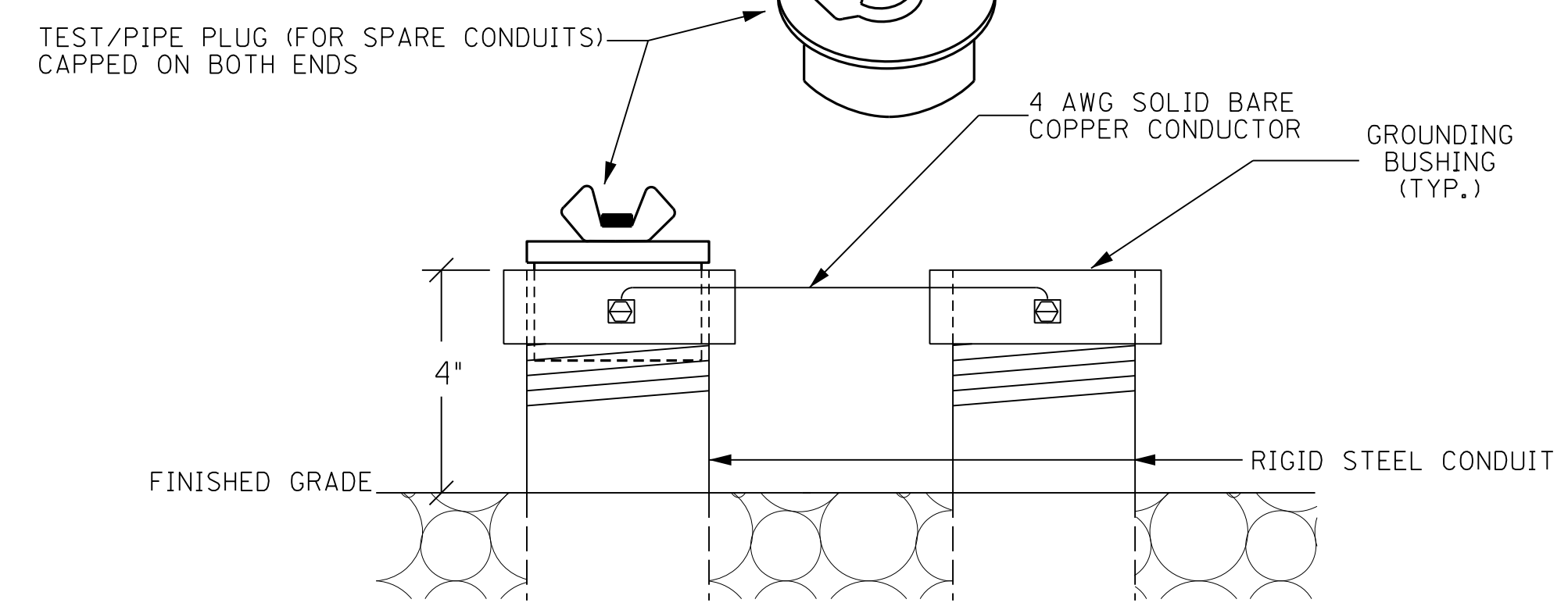
BEFORE THE INSTALLATION OF THE #57 AGGREGATE AND JUNCTION BOX, THE CONTRACTOR SHALL INSTALL GEOTEXTILE FILTER FABRIC TYPE IV IN THE HOLE. THE FABRIC SHALL EXTEND TO JUST BELOW THE LIP OF THE JUNCTION BOX AND SHALL BE CONTINUOUSLY ADHERED TO THE EXTERIOR OF THE BOX WITH ADHESIVE. ANY LOCATIONS WHERE CONDUITS ENTER THE BOX, THE FABRIC SHALL BE 'X CUT' ONLY AS MUCH AS NECESSARY TO ALLOW PASSAGE OF EACH INDIVIDUAL CONDUIT THROUGH THE FABRIC. THE FABRIC SHALL BE INCIDENTAL TO BID ITEMS 48II, 2039INS835, OR 20392NS835.



JUNCTION BOX INSTALLATION FOR HIGHMAST LIGHTING



JUNCTION BOX INSTALLATION FOR TRAFFIC SIGNALS



TEST/PIPE PLUG(FOR SPARE CONDUITS) AND GROUNDING DETAIL CONCRETE CABLE MARKERS

FILE NAME: G:\PWORK\T.D.SWANSEGAR.DMS28754\ALL LIGHTING STANDARDS REVISION 3-10-2017.DGN
 USER: ted.swansegar
 DATE PLOTTED: March 13, 2017
 E-SHEET NAME:
 MicroStation v8.11.7.443
 3/13/2017