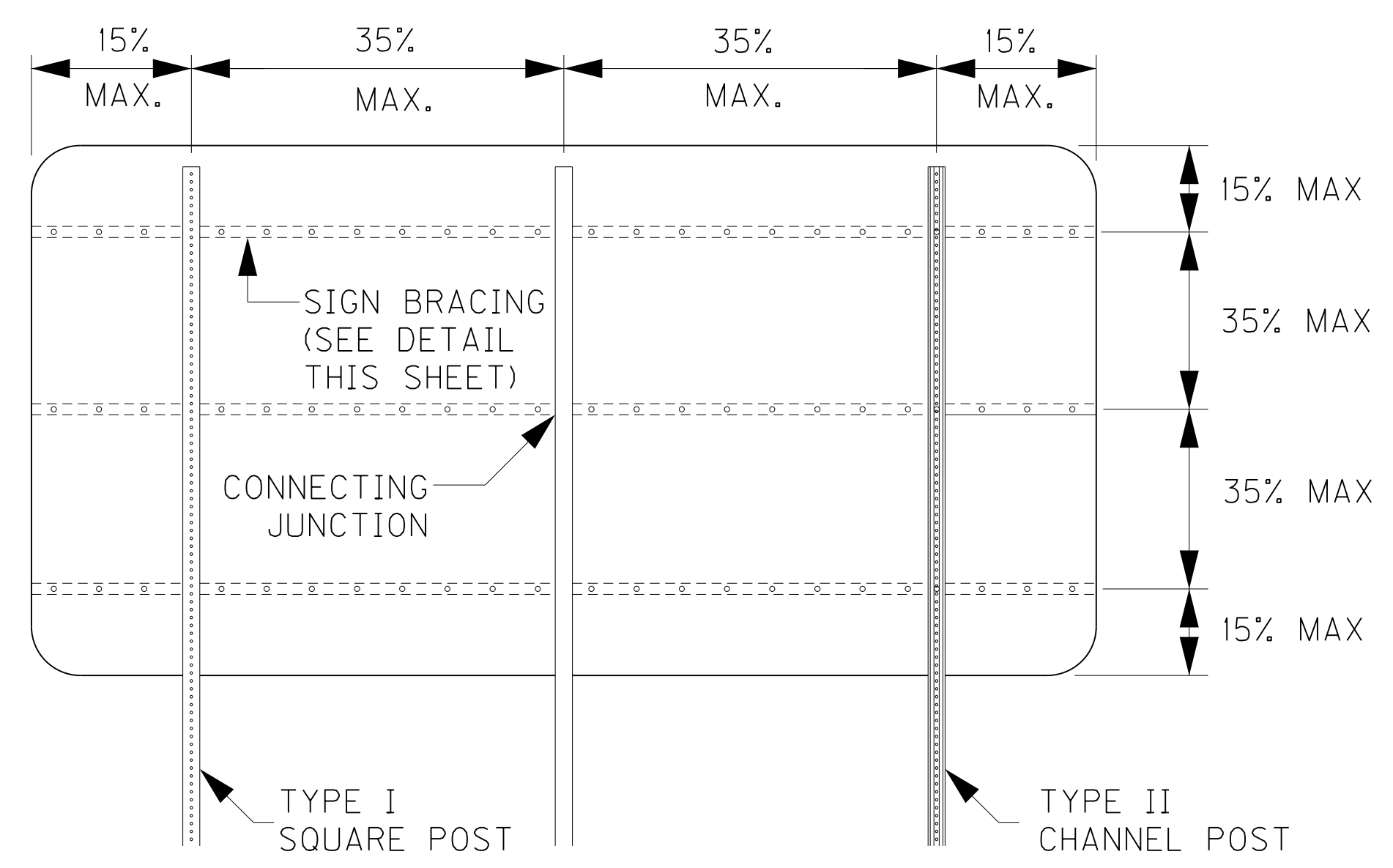
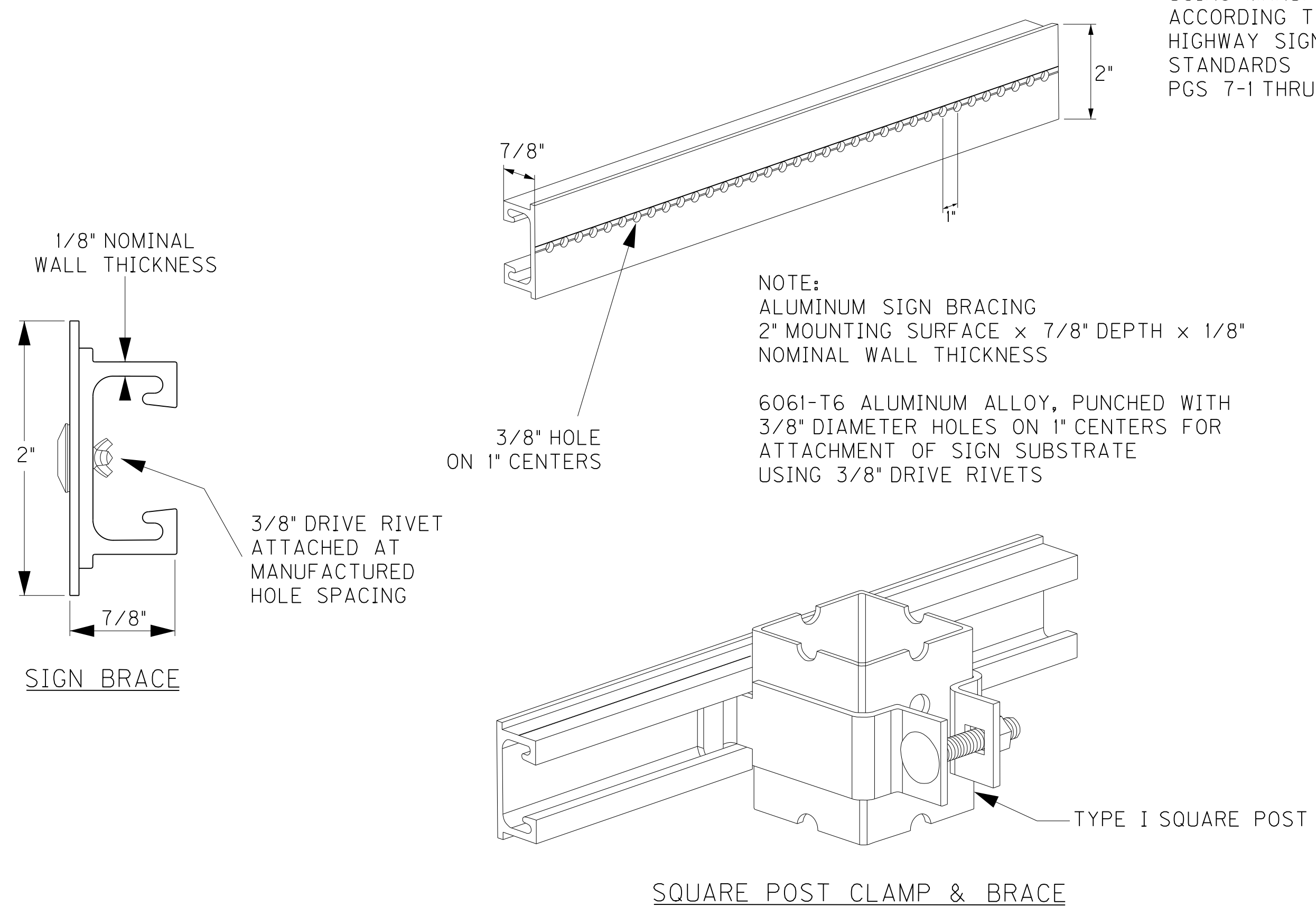


FOR ATTACHMENT OF SIGNS LESS THAN 72" IN WIDTH USING MANUFACTURED 3/8" HOLES ACCORDING TO 2004 STANDARD HIGHWAY SIGNS BLANK STANDARDS PGS 7-1 THRU 7-6

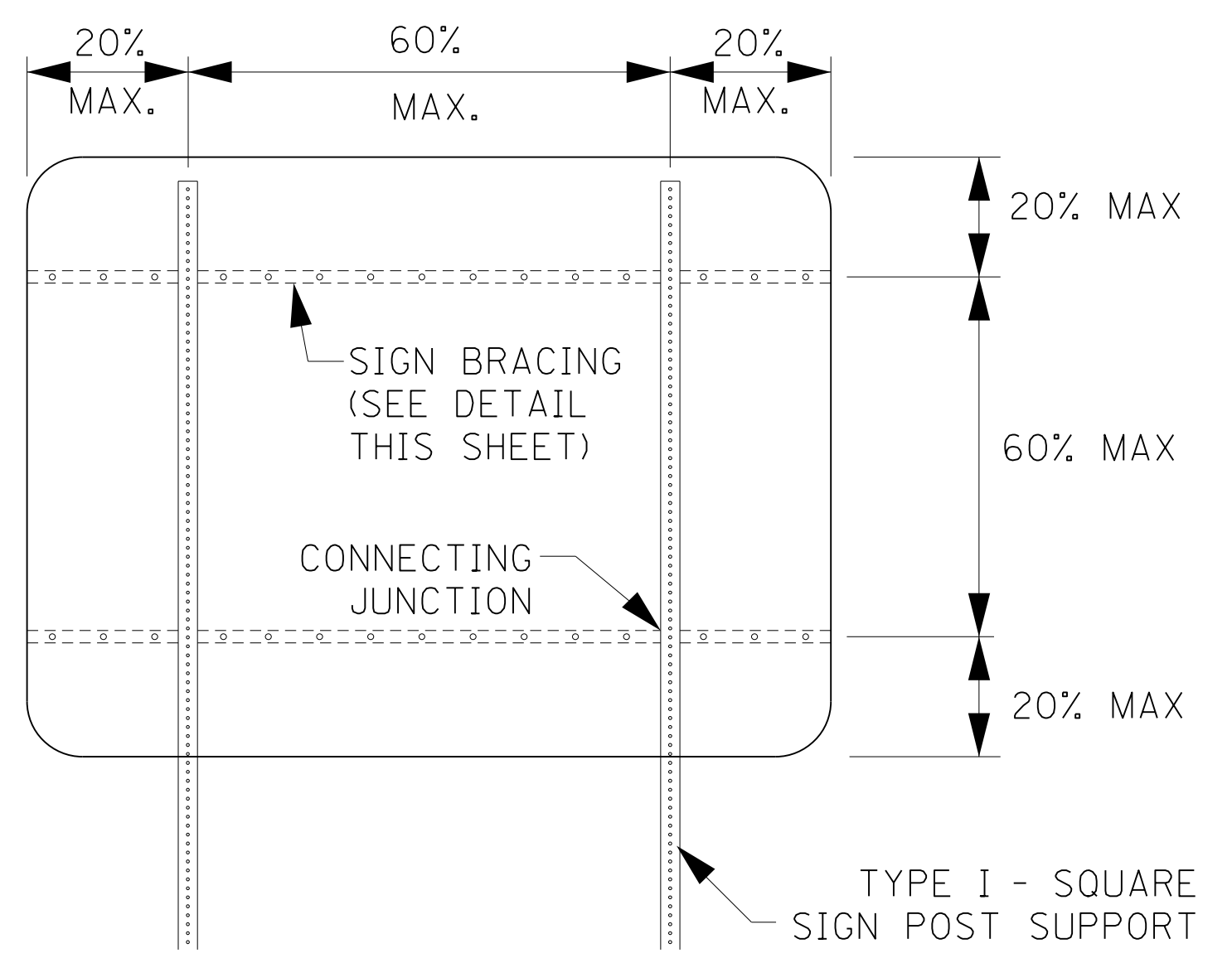
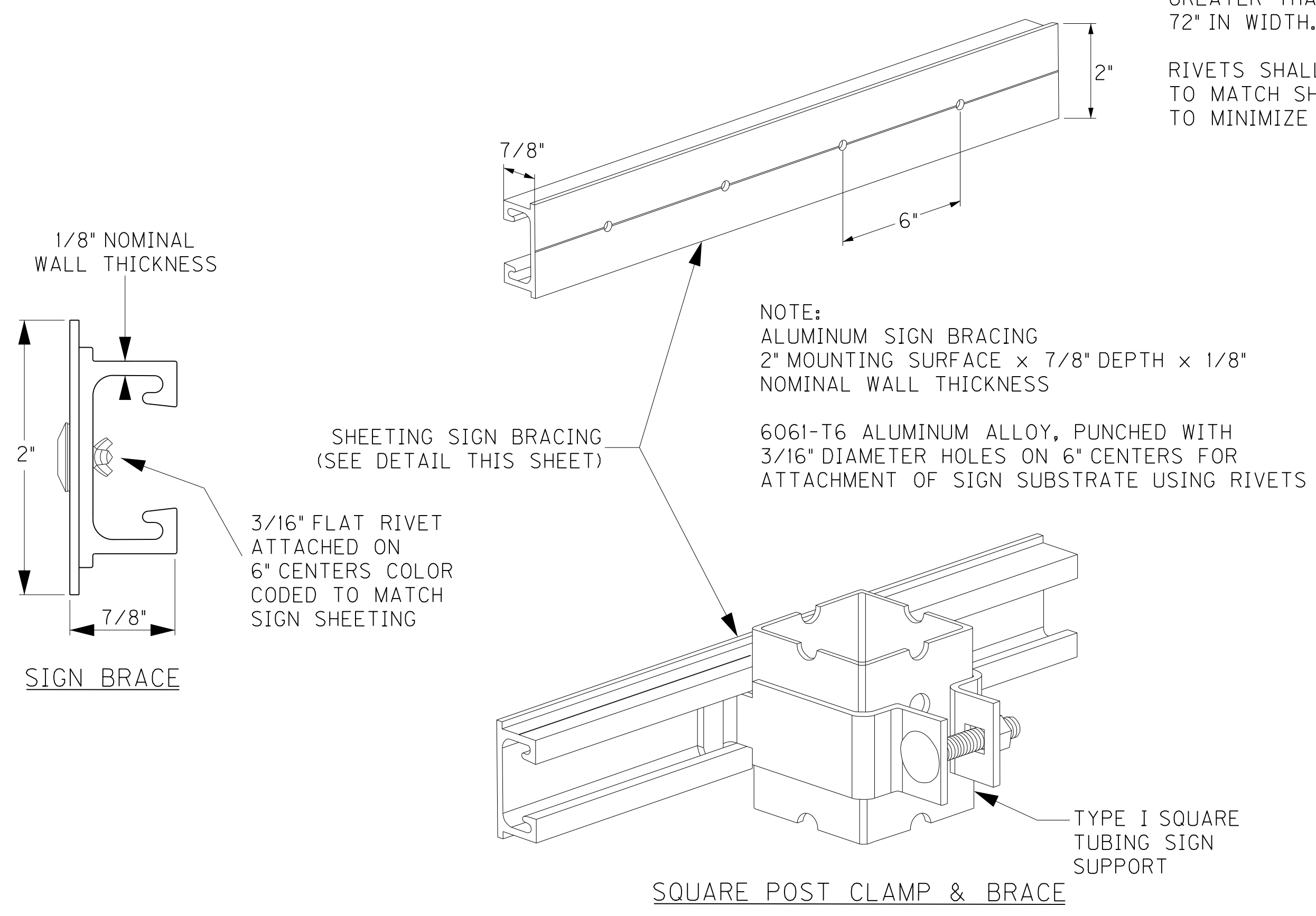


3 POST - BRACING DIAGRAM

NOTE:
1. MAXIMUM AREA PER CONNECTING JUNCTION = 16 SQ. FT.

2. BRACING SHOULD NOT BE SPLICED WITHIN 6" OF A BRACE TO POST JUNCTION.

FOR ATTACHMENT OF SIGNS GREATER THAN, OR EQUAL TO, 72" IN WIDTH. RIVETS SHALL BE COLOR CODED TO MATCH SHEETING IN ORDER TO MINIMIZE GLARE FROM RIVETS



2 POST - BRACING DIAGRAM

NOTE:
USE OF SIGN BRACING NOT SHOWN ON THIS SHEET MAY BE PERMITTED BY PROJECT ENGINEER AND/OR DISTRICT TRAFFIC ENGINEER.

NOT TO SCALE

FILE NAME: C:\PWORK\JARROD.STANLEY\DI060939\TOIG SHEETING SIGN DETAIL SHEET 2 OF 2.DGN

USER: jarrrod.stanley
DATE PLOTTED: August 11, 2016

E-SHEET NAME:

MicroStation v8.11.7.443