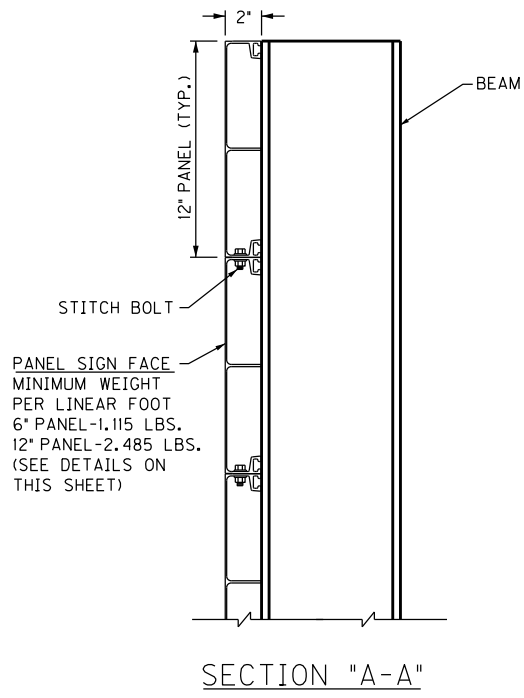
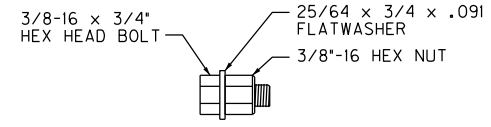
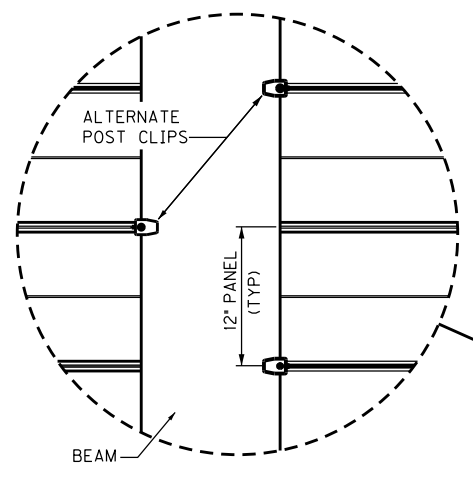


NOTE:  
THE COST FOR ATTACHING EXIT NUMBER SIGN SHALL BE INCLUDED IN THE BID ITEM FOR SIGN  
BASE MATERIAL FOR PANEL SIGNS AND SHALL INCLUDE ALL Z-BRACKETS AND HARDWARE.

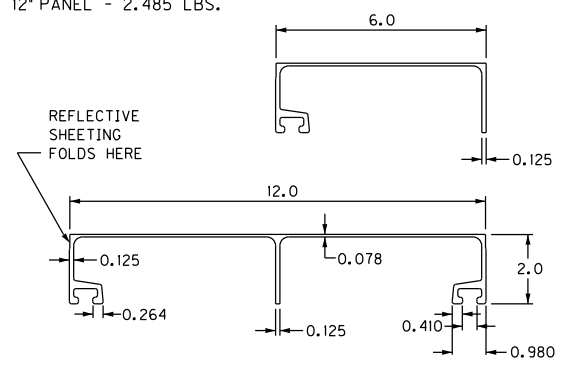


PANEL SIGN FACE  
MINIMUM WEIGHT  
PER LINEAR FOOT  
6" PANEL - 1.115 LBS.  
12" PANEL - 2.485 LBS.  
(SEE DETAILS ON  
THIS SHEET)

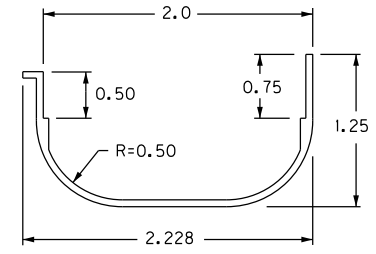


**STITCH BOLT DETAIL**

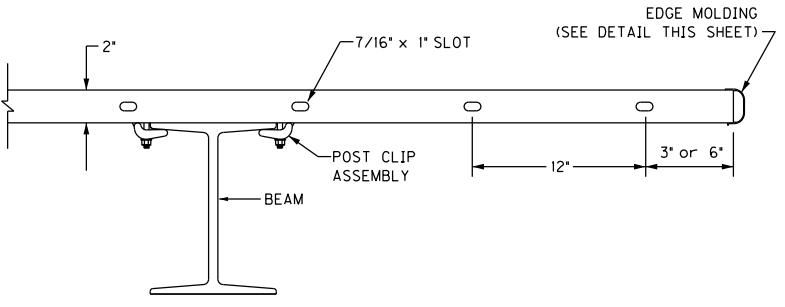
MINIMUM WEIGHT PER LINEAR FOOT  
6" PANEL - 1.115 LBS.  
12" PANEL - 2.485 LBS.



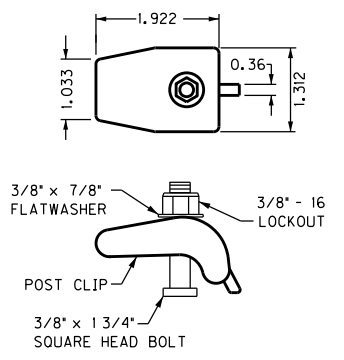
**ALUMINUM PANEL DETAILS**



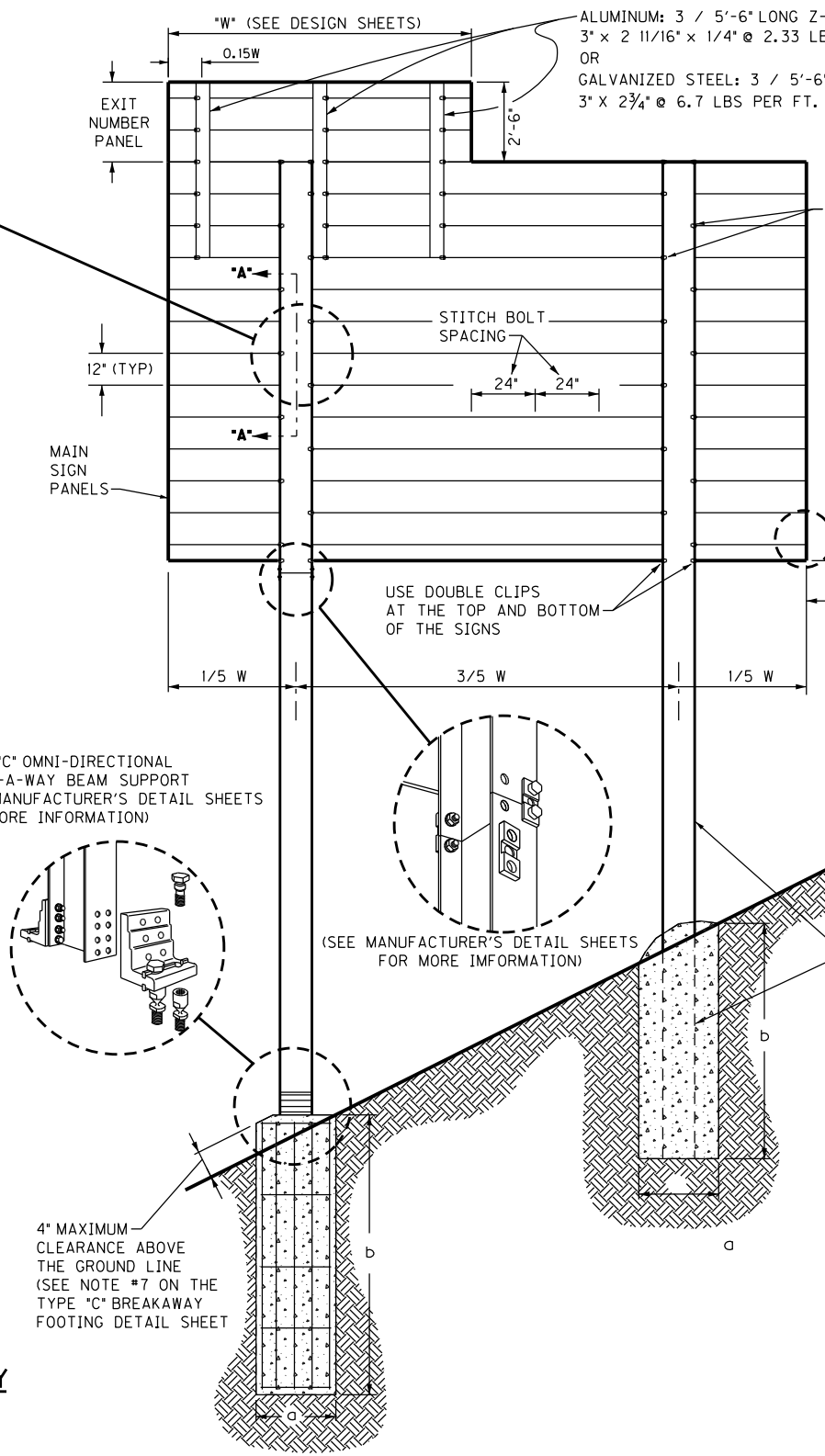
**EDGE MOLDING DETAIL**



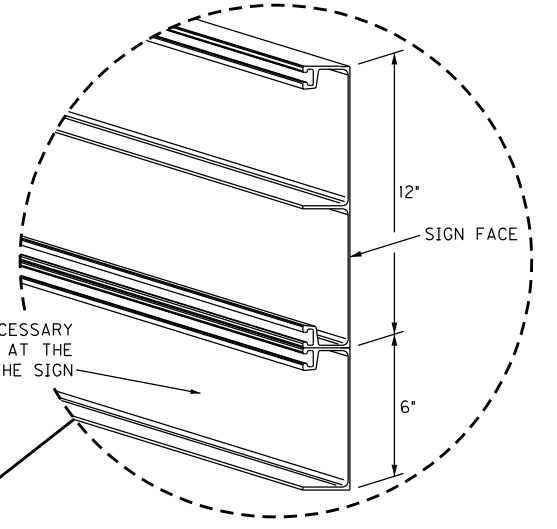
**TOP VIEW OF PANEL SIGN**



**POST CLIP ASSEMBLY**



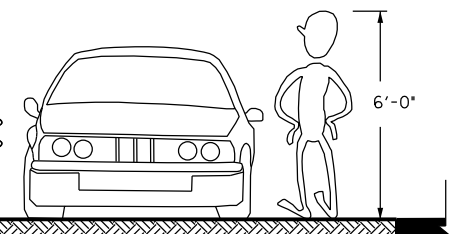
ALUMINUM: 3 / 5'-6" LONG Z-BRACKETS  
3" x 2 11/16" x 1/4" @ 2.33 LBS. PER FT.  
OR  
GALVANIZED STEEL: 3 / 5'-6" LONG Z-BRACKETS  
3" x 2 3/4" @ 6.7 LBS PER FT.



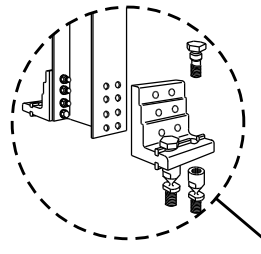
INSTALL NECESSARY  
6" PANELS AT THE  
BOTTOM OF THE SIGN

6'-0" (MINIMUM) IF PROTECTED BY GUARDRAIL (TYPE 'A')  
18'-0" (MINIMUM) IF NOT PROTECTED BY GUARDRAIL (TYPE 'C')

7'-0" MINIMUM  
FROM THE BOTTOM  
OF THE SIGN PANELS  
TO THE ROADWAY.



TYPE 'C' OMNI-DIRECTIONAL  
BREAK-A-WAY BEAM SUPPORT  
(SEE MANUFACTURER'S DETAIL SHEETS  
FOR MORE INFORMATION)



(SEE MANUFACTURER'S DETAIL SHEETS  
FOR MORE INFORMATION)

TYPE 'A' FIXED SUPPORT  
BEAM SHALL BE ONE  
PIECE FROM THE TOP OF  
THE SIGN TO THE BOTTOM  
OF THE CONCRETE

NOTE:  
SHOULD THE CONTRACTOR OVERDRILL THE HOLES, THE EXTRA  
CONCRETE WILL BE AT THE EXPENSE OF THE CONTRACTOR.  
PAYMENT WILL BE DETERMINED BY THE DIMENSIONS SHOWN  
ON THE DESIGN SHEETS.

THE TOPS OF THE BASES ARE TO BE FINISHED TO ASSURE THAT  
THERE IS ADEQUATE DRAINAGE AWAY FROM THE CENTER OF  
THE BASE.

SEE SIGN DESIGN SHEETS FOR 'a' AND 'b' DIMENSIONS

4" MAXIMUM  
CLEARANCE ABOVE  
THE GROUND LINE  
(SEE NOTE #7 ON THE  
TYPE 'C' BREAKAWAY  
FOOTING DETAIL SHEET)

FILE NAME: C:\PWORK\JARROD.STANLEY\060939\TOOT PANEL SIGNS DETAIL SHEET.DGN  
 USER: dovid.durman  
 DATE PLOTTED: Apr-11, 2015  
 E-SHEET NAME:  
 MicroStation v8.11.7.443

NOT TO SCALE